

PF632



Display size
22"-40"



Max load
80lb (36kg)

PARAMOUNT™ Flat Wall Mount

FOR 22" TO 40" DISPLAYS

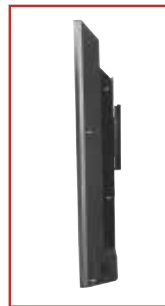
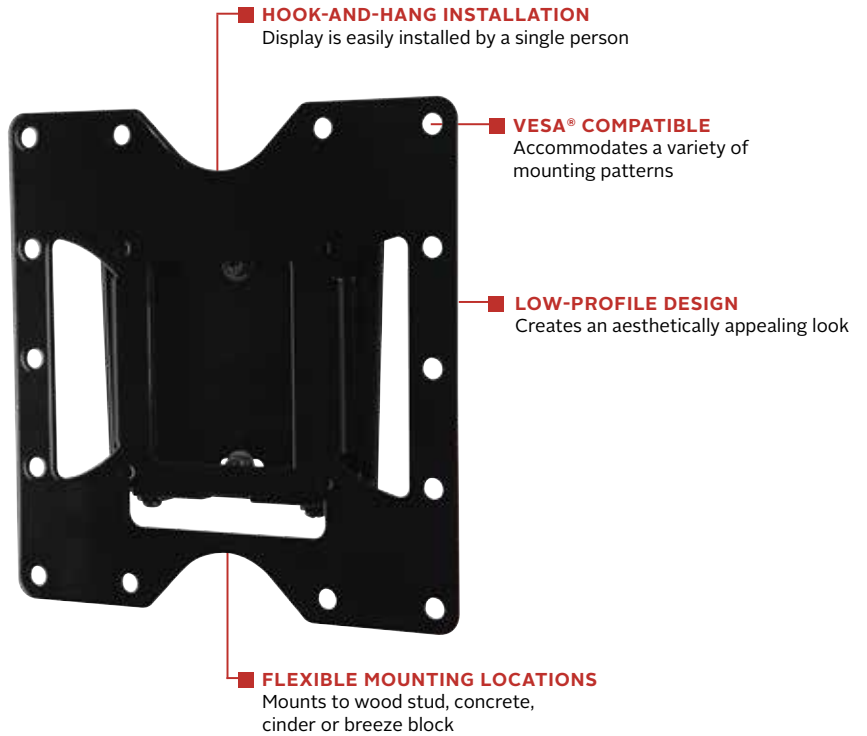
The Paramount™ series wall mounts provide versatile and multi-functional features. With PF632, a low-profile design positions the display just 0.64" (16mm) from the wall. The Hook-and-Hang™ system offers easy, one-person installation of the display.

The PF632's design positions the display just 0.64" from the wall, perfect for almost any low-profile application.



Additional Features

- ✓ Mount accommodates displays with VESA® 100, 200 x 100, or 200 x 200mm hole patterns
- ✓ Slim design positions the display only 0.64" (16mm) from the wall
- ✓ Display adaptor simply slides into the wall plate for a quick and easy installation
- ✓ Includes all necessary wall and display attachment hardware
- ✓ Design is UL listed and tested to four times stated load capacity



Low-profile design for a sleek, yet compact installation



Comes in color packaging with included installation hardware and easy to follow instructions.



PF632	Paramount™ Flat Wall Mount for 22" to 40" Displays
--------------	--

Product Specifications

	DIMENSIONS (W x H x D)	PRODUCT WEIGHT	LOAD CAPACITY	FINISH	AVAILABLE COLORS
PF632	8.74" x 8.74" x 0.64" (222 x 222 x 16mm)	2.00lb (0.91kg)	80lb (36kg)	Scratch resistant fused epoxy	Gloss black

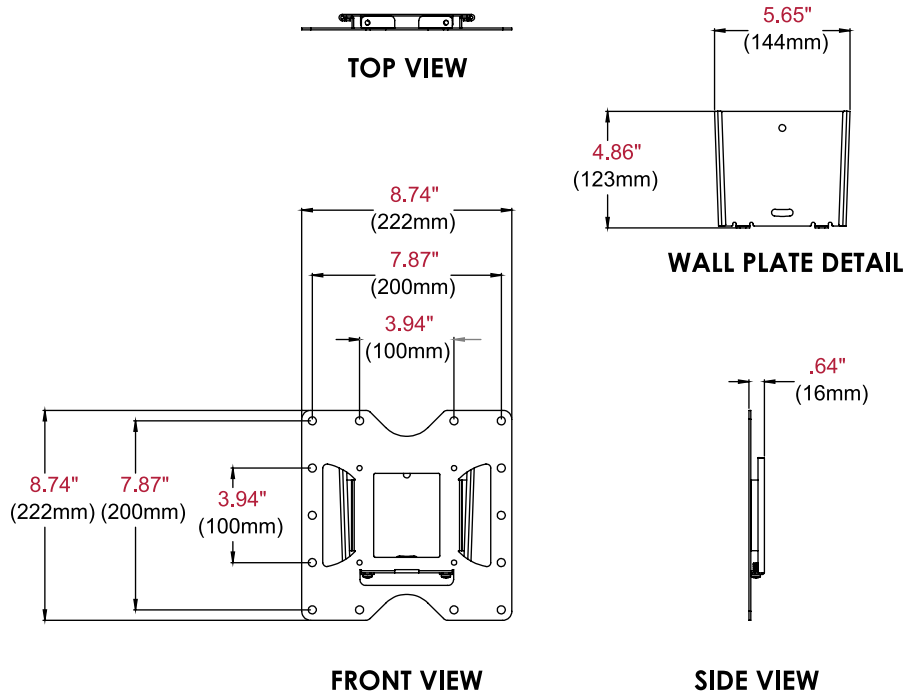
Package Specifications

	PACKAGE SIZE (W x H x D)	PACKAGE SHIP WEIGHT	PACKAGE UPC CODE	PACKAGE CONTENTS	UNITS IN PACKAGE
PF632	10.83" x 1.81" x 10.79" (275 x 46 x 274mm)	2.85lb (1.29kg)	735029254386	Wall mount, wall and display installation hardware, installation instructions	1

Accessories

ACC215: Metal Stud Fastener Kit

All dimensions = inch (mm)



Architect Specifications

The Paramount™ Flat Wall Mount shall be a Peerless-AV model PF632 and shall be located where indicated on the plans. Assembly and installation shall be done according to instructions provided by the manufacturer.

Visit peerless-av.com to see the complete line of AV solutions from Peerless-AV, including outdoor displays, wireless, kiosks, digital audio, display mounts, projector mounts, carts/stands, and a full assortment of accessories.

Peerless-AV
 2300 White Oak Circle
 Aurora, IL 60502 USA
(800) 865-2112
(630) 375-5100
Fax: (800) 359-6500

Peerless-AV Europe
 Unit 3 Watford Interchange
 Colonial Way, Watford
 Herts, WD24 4WP
 United Kingdom
+44 (0) 1923 200100
Fax: +44 (0) 1923 200101

Peerless-AV de México
 Ave de las Industrias 413
 Parque Industrial Escobedo
 Escobedo, N.L.,
 Mexico 66050
+52 (81) 8384-8300
Fax: +52 (81) 8384-8360

