

PF630



Display size
10"-29"



Max load
50lb (23kg)

PARAMOUNT™ Flat Wall Mount

FOR 10" TO 29" DISPLAYS

The Paramount™ series wall mounts provide versatile and multi-functional features. With PF630, a low-profile design positions the display just 0.64" (16mm) from the wall. The Hook-and-Hang™ system offers easy, one-person installation of the display.

The PF630's design positions displays just 0.64" from the wall, perfect for almost any low-profile application.



Additional Features

- ✓ Slim design positions the display only 0.64" (16mm) from the wall
- ✓ Easy installation to the wall with just two screws
- ✓ Includes all necessary wall and display attachment hardware
- ✓ Display adaptor plate simply slides into the wall plate for a quick and easy installation
- ✓ Design is UL listed and tested to four times stated load capacity

HOOK-AND-HANG INSTALLATION
Display is easily installed by a single person



VESA® COMPATIBLE
Accommodates 75 and 100mm mounting patterns

LOW-PROFILE DESIGN
Creates an aesthetically appealing look

FLEXIBLE MOUNTING LOCATIONS
Mounts to wood stud, concrete, cinder or breeze block



Low-profile design for a sleek, yet compact installation



Comes in color packaging with included installation hardware and easy to follow instructions.

PF630 Paramount™ Flat Wall Mount for 10" to 29" Displays

Product Specifications

	DIMENSIONS (W x H x D)	PRODUCT WEIGHT	LOAD CAPACITY	FINISH	AVAILABLE COLORS
PF630	5.65" x 5.07" x 0.64" (144 x 129 x 16mm)	1.20lb (0.54kg)	50lb (23kg)	Scratch resistant fused epoxy	Gloss black

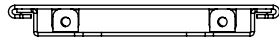
Package Specifications

	PACKAGE SIZE (W x H x D)	PACKAGE SHIP WEIGHT	PACKAGE UPC CODE	PACKAGE CONTENTS	UNITS IN PACKAGE
PF630	5.91" x 2.60" x 7.24" (150 x 66 x 184mm)	1.75lb (0.80kg)	735029252337	Wall mount, wall and display installation hardware, installation instructions	1

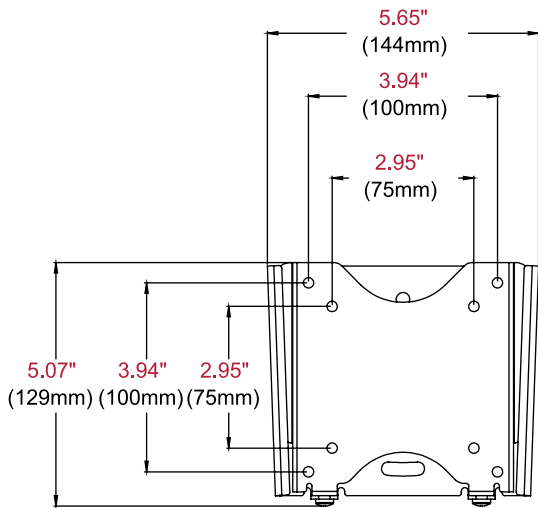
Accessories

ACC215: Metal Stud Fastener Kit

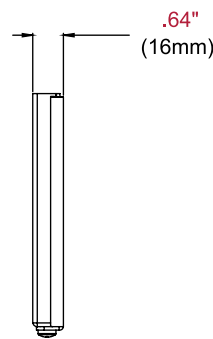
All dimensions = inch (mm)



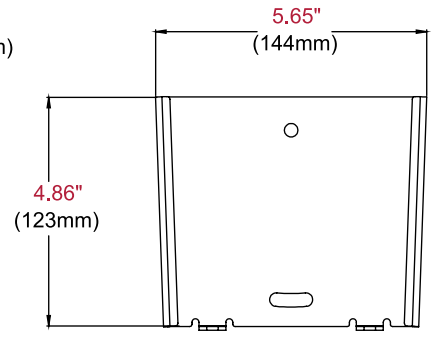
TOP VIEW



FRONT VIEW



SIDE VIEW



WALL PLATE DETAIL

Architect Specifications

The Paramount™ Flat Wall Mount shall be a Peerless-AV model PF630 and shall be located where indicated on the plans. Assembly and installation shall be done according to instructions provided by the manufacturer.

Visit peerless-av.com to see the complete line of AV solutions from Peerless-AV, including outdoor displays, wireless, kiosks, digital audio, display mounts, projector mounts, carts/stands, and a full assortment of accessories.

Peerless-AV
2300 White Oak Circle
Aurora, IL 60502 USA
(800) 865-2112
(630) 375-5100
Fax: (800) 359-6500

Peerless-AV Europe
Unit 3 Watford Interchange
Colonial Way, Watford
Herts, WD24 4WP
United Kingdom
+44 (0) 1923 200100
Fax: +44 (0) 1923 200101

Peerless-AV de México
Ave de las Industrias 413
Parque Industrial Escobedo
Escobedo, N.L.,
Mexico 66050
+52 (81) 8384-8300
Fax: +52 (81) 8384-8360

