

PLP-UNL(-S)  
PLP-UNLP(-S)



Display size  
**32"-75"**



Max load  
**200lb (90.7kg)**

# Universal Adaptor Bracket

FOR 32" TO 75" DISPLAYS

The Universal Display Adaptor offers unparalleled compatibility for medium to large sized displays between 32" and 75" weighing up to 200lb (90.7kg). This adaptor bracket is designed to quickly and easily attach to many Peerless-AV display mounts that incorporate the PLP mounting pattern. Mount your display with confidence knowing the PLP-UNL(-S)'s included security hardware will help prevent theft.

*The Universal Display Adaptor's PLP mounting pattern makes it possible to mount to many Peerless-AV flat panel mounts with ease.*



## Additional Features

- ✓ Universal adaptor fits virtually any 32" to 75" display weighing up to 200lb (90.7kg) (actual mount capacity may be less)
- ✓ Compatible with many Peerless-AV® display mounts (mounts sold separately)
- ✓ PLP-UNL(-S) is provided with security hardware for effective theft deterrence
- ✓ PLP-UNMP(-S) is provided with Phillips head screw hardware
- ✓ Heavy gauge cold rolled steel construction
- ✓ Available in black or silver

### UNIVERSAL MOUNTING PATTERN

Up to 730 x 405mm (28.75"W x 15.95"H)



Shown with Peerless-AV Ceiling Mount, PLCM-1



Patented. Utility Patent No. 8,517,322.

## Model Numbers

**WARRANTY: Limited 5-year**

**PLP-UNL(-S)** Security Universal Adaptor Bracket for 32" to 75" Displays  
**PLP-UNLP(-S)** Non-security Universal Adaptor Bracket for 32" to 75" Displays

## Product Specifications

	DIMENSIONS (W x H x D)	PRODUCT WEIGHT	LOAD CAPACITY	FINISH	AVAILABLE COLORS
PLP-UNL(P)(-S)	30.75" x 16.89" x 1.18" (781 x 429 x 30mm)	11.4lb (5.2kg)	200lb (90.7kg)	Powder Coat	Black or silver

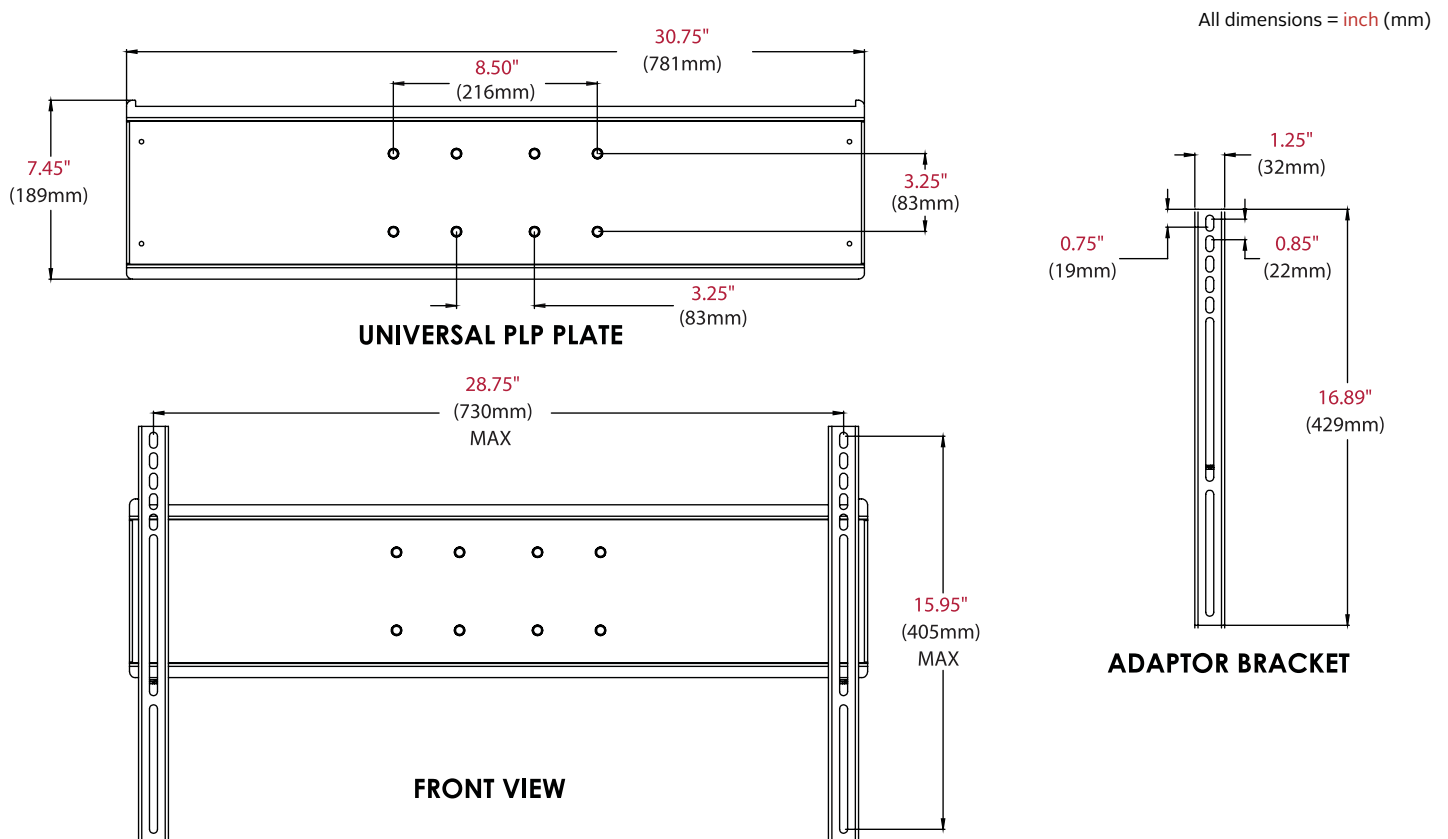
## Package Specifications

	PACKAGE SIZE (W x H x D)	PACKAGE SHIP WEIGHT	PACKAGE UPC CODE	PACKAGE CONTENTS	UNITS IN PACKAGE
PLP-UNL(P)(-S)	8.50" x 3.75" x 31.75" (216 x 95 x 806mm)	14lb (6.4kg)	PLP-UNL: 735029241331 PLP-UNL-S: 735029241348 PLP-UNLP: 735029241355 PLP-UNLP-S: 735029241362	Adaptor plate, two brackets, mounting hardware and wrenches	1

## Compatible with:

Many Peerless-AV® Display Mounts

Contact Peerless-AV Customer Care for more information.



## Architect Specifications

The Universal Adaptor Bracket shall be a Peerless-AV model PLP-UNL(P)(-S) and shall be located where indicated on the plans. Assembly and installation shall be done according to instructions provided by the manufacturer.

Visit [peerless-av.com](http://peerless-av.com) to see the complete line of AV solutions from Peerless-AV, including outdoor displays, wireless, kiosks, digital audio, display mounts, projector mounts, carts/stands, and a full assortment of accessories.

**Peerless-AV**  
 2300 White Oak Circle  
 Aurora, IL 60502 USA  
**(800) 865-2112**  
**(630) 375-5100**  
**Fax: (800) 359-6500**

**Peerless-AV Europe**  
 Unit 3 Watford Interchange  
 Colonial Way, Watford  
 Herts, WD24 4WP  
 United Kingdom  
**+44 (0) 1923 200100**  
**Fax: +44 (0) 1923 200101**

**Peerless-AV de México**  
 Ave de las Industrias 413  
 Parque Industrial Escobedo  
 Escobedo, N.L.,  
 Mexico 66050  
**+52 (81) 8384-8300**  
**Fax: +52 (81) 8384-8360**

**peerless-AV®**

LIT-1144 rev.2