

SA724P

SMARTMOUNT.

Articulating Wall Mount

For 10"-24" Displays

As the signature brand by Peerless-AV®, the SmartMount® series wall mounts reflect remarkable form and function with superior design aesthetics. The articulating wall mounts feature versatile display positioning and one-person, Hook-and-Hang™ easy installation. The pivoting arm allows you to extend the display up 16.71" (425mm) from the wall, and can retract to just 2.50" (64mm) from the wall. The internal cable management provides a clean, professional finish. One-Touch™ tilt of $\pm 15^\circ$, $\pm 5^\circ$ of roll for post-installation leveling, and $\pm 90^\circ$ of pivot means the display will be perfectly positioned for the optimum viewing angle.



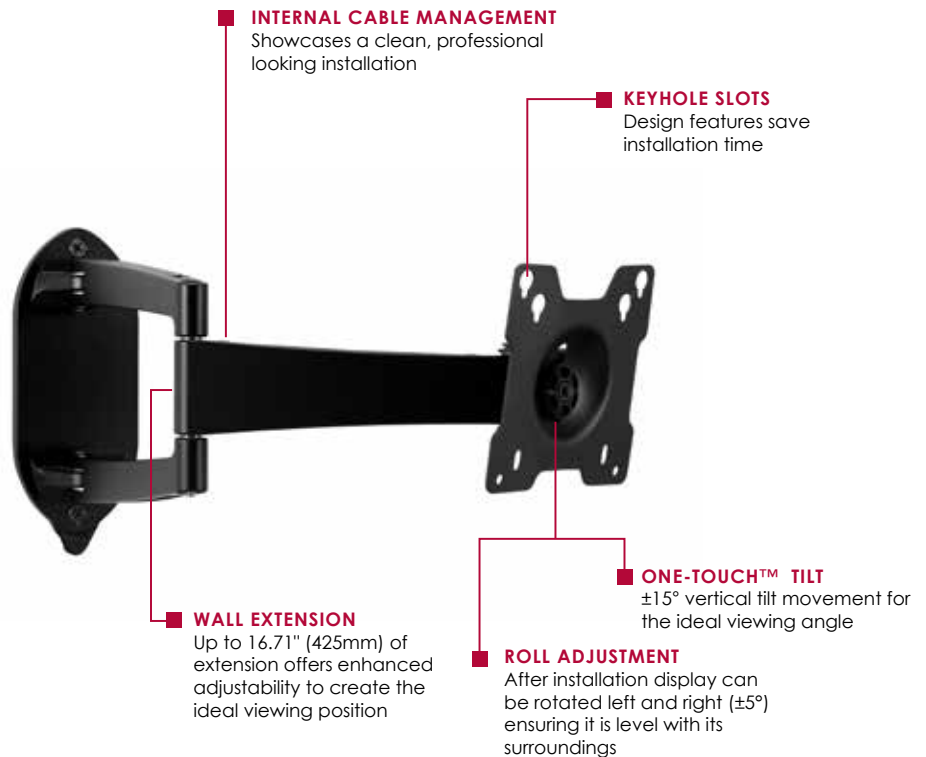
Display size: 10"-24"



Max load: 25lb (11kg)

FEATURES

- Fits 10"-24" (25-61cm) displays weighing up to 25lb (11kg)
- Extends display 16.71" (425mm) from the wall
- Retracts to hold display 2.50" (64mm) from the wall
- $\pm 90^\circ$ of pivot allows for perfect display positioning
- Easy leveling $\pm 5^\circ$ after display installation
- Internal cable management provides clean, professional installation finish
- Landscape or portrait mounting options increases display versatility
- Quick and easy, Hook-and-Hang™ one-person installation
- $\pm 15^\circ$ of One-Touch™ tilt for smooth viewing angle adjustment
- VESA® 75 and 100mm compliant
- Mounts to wood studs, concrete, cinder or breeze block
- Installation hardware included
- UL listed
- Five-year warranty



Internal Cable Management



$\pm 15^\circ$ of viewing angle adjustment



Arm retracts to just 2.50" (64mm) and extends up to 16.71" (425mm) from the wall



CLICK: peerless-av.com

CALL: 800.865.2112

FAX: 800.359.6500

peerless-AV®

SA724P SmartMount® Articulating Wall Mount for 10"-24" Displays

Product Specifications

	DIMENSIONS (W x H x D)	PRODUCT WEIGHT	LOAD CAPACITY	FINISH	AVAILABLE COLORS
SA724P	9.89" x 8.06" x 2.50"-16.71" (251 x 205 x 64-425mm)	3.08lb (1.39kg)	25lb (11kg)	Matte	Black

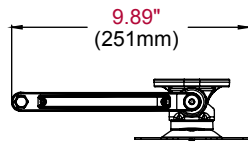
Package Specifications

	PACKAGE SIZE (W x H x D)	PACKAGE SHIP WEIGHT	PACKAGE UPC CODE	PACKAGE CONTENTS	UNITS IN PACKAGE
SA724P	12.00" x 8.50" x 2.80" (305 x 216 x 71mm)	4.40lb (2.00kg)	735029294641	Wall mount, attachment hardware, installation instructions	1

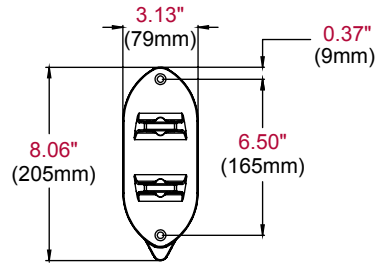
Accessories

ACC918:	Security Fasteners for Wall Arms	IBA5-W:	In-Wall Accessories Box with 125V Duplex Power
ACC972:	VESA® 200 x 100mm Adaptor Plates	ESHV10:	Single AV Wall Shelf
WSP700/701:	Metal Stud Wall Plate	ESHV20:	Single AV Wall Shelf with Glass
IBA4-W:	Easy Mount Recessed Low Voltage Cable Plate	ESHV30:	Dual AV Wall Shelf with Glass

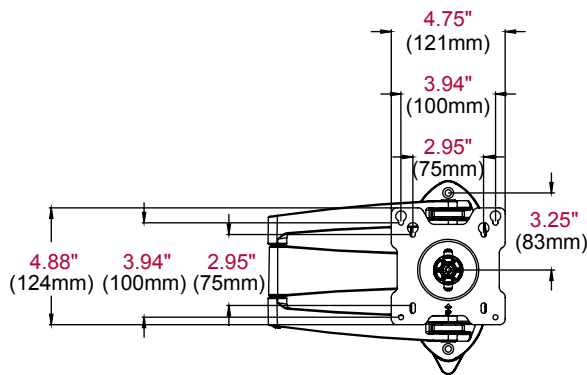
All dimensions = inch (mm)



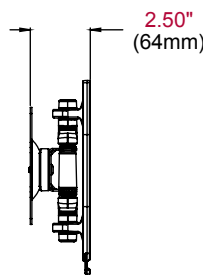
TOP VIEW



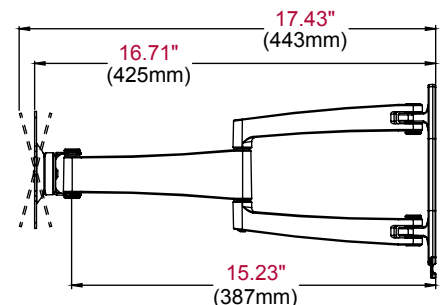
WALL PLATE



FRONT VIEW



SIDE VIEW



SIDE VIEW EXTENDED +/-15° TILT

ARCHITECTS SPECIFICATIONS

The SmartMount® Articulating Wall Mount shall be a Peerless-AV model SA724P and shall be located where indicated on the plans. Assembly and installation shall be done according to instructions provided by the manufacturer.

Peerless Industries, Inc. ■ 2300 White Oak Circle ■ Aurora, IL 60502 ■ (800) 865-2112 ■ (630) 375-5100 ■ Fax: (800) 359-6500 ■ peerless-av.com

Visit peerless-av.com to see the complete line of AV solutions from Peerless-AV, including flat panel mounts, projector mounts, carts/stands, furniture, cables, display cleaners and a full assortment of accessories.