

# ST650(P) ST650-AB/AW

## SMARTMOUNT. Universal Tilt Wall Mount for 37" to 75" Displays

The ST650 is indispensable when it comes to display placement flexibility. It features open wall plate architecture that delivers increased electrical access and cable management options. Its exclusive pre-tensioned universal tilt display adaptors deliver the ultimate ease in horizontal display adjustment and viewing angle flexibility.



Display size: 37"-75"



Max load: 175lb (79kg)

### FEATURES

- Universal mount fits displays with mounting patterns up to 750 x 449mm (29.52" W x 17.67" H)
- Open wall plate design allows for total wall access, increasing electrical and cable management options
- Adjustable up to 15° of forward tilt and -5° backward tilt for optimal viewing angle
- Pre-tensioned universal tilt bracket allows for tilt adjustment without the use of tools
- Easy-Grip™ ratcheting handle locks tilt angle into place
- Optional IncreLok™ feature offers fixed tilt angles of -5°, 0°, 5°, 10°, 15°
- Horizontal display adjustment of up to 8" (203mm) (depending on display model) for perfect display placement
- Universal display adaptors easily hook onto wall plate for fast installation
- Mounts to wood studs, concrete, cinder block or metal studs (metal stud accessory required)
- Comes with fastener pack with all necessary display attachment hardware
- Integrated security options available
- UL listed
- Agion® antimicrobial\* finish assists in controlling the spread of infections with ST650-AB/AW models

#### OPEN ARCHITECTURE

Open wall plate architecture for flexible cable management and wall placement

#### INCRELOK™

Optional tilt lock at 5° increments



#### DISPLAY ANGLE ADJUSTMENT

Easy-Grip™ ratcheting handle locks tilt angle into place



Adjustable +15/-5° tilt



ST650-AB/AW:



Patented. Utility Patent No. 8,313,073; 8,517,322; 8,282,059.

\* Antimicrobial protection is limited to the treated article and does not protect a user against disease causing bacteria. Always clean products thoroughly after each use. Visit [agion-tech.com](http://agion-tech.com) for more details.

CLICK: [peerless-av.com](http://peerless-av.com)

CALL: 800.865.2112

FAX: 800.359.6500

peerless-AV®

<b>ST650P</b>	SmartMount® Universal Tilt Wall Mount for 37" to 75" Displays - standard models
<b>ST650(-AB/AW)</b>	SmartMount® Universal Tilt Wall Mount for 37" to 75" Displays - security models

**Product Specifications**

	<b>DIMENSIONS (W x H x D)</b>	<b>PRODUCT WEIGHT</b>	<b>LOAD CAPACITY</b>	<b>FINISH</b>	<b>AVAILABLE COLORS</b>
<b>ST650(-AB/AW)(P)</b>	33.64" x 18.50" x 2.63"-5.71" (854 x 470 x 67-145mm)	7.94lb (3.6kg)	175lb (79kg)	Matte	ST640(P) Black ST640-AB Antimicrobial* black ST640-AW Antimicrobial* white

\* Antimicrobial protection is limited to the treated article and does not protect a user against disease causing bacteria. Always clean products thoroughly after each use. Visit [www.agion-tech.com](http://www.agion-tech.com) for more details.

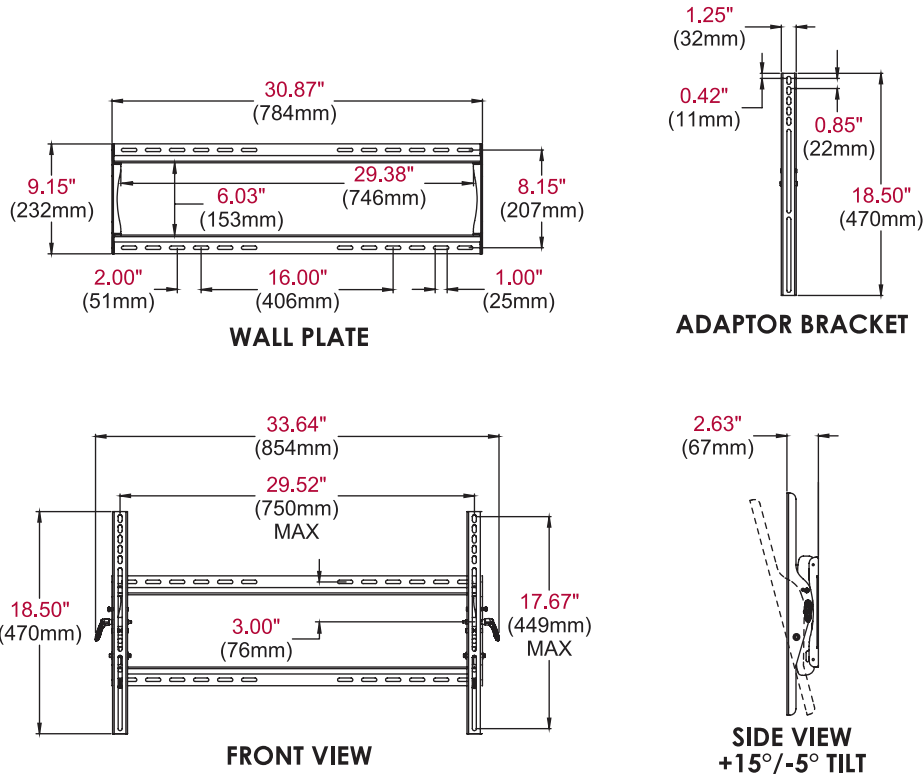
**Package Specifications**

	<b>PACKAGE SIZE (W x H x D)</b>	<b>PACKAGE SHIP WEIGHT</b>	<b>PACKAGE UPC CODE</b>	<b>PACKAGE CONTENTS</b>	<b>UNITS IN PACKAGE</b>
<b>ST650(-AB/AW)(P)</b>	32" x 10.06" x 3.5" (813 x 256 x 89mm)	10.5lb (4.76kg)	ST650: 735029235941 ST650P: 735029235965 ST650-AB: 735029280996 ST650-AW: 735029281009	Wall plate, universal display adaptors, mounting and display attachment hardware	1

**Accessories**

<b>ACC415:</b>	4-pack Metal Stud Fastener Kit
<b>ACC309:</b>	Video Conference Shelf

All dimensions = inch (mm)



**ARCHITECTS SPECIFICATIONS**

The SmartMount® Universal Tilt Wall Mount shall be a Peerless-AV model ST650(-AB/AW)(P) and shall be located where indicated on the plans. Assembly and installation shall be done according to instructions provided by the manufacturer.

Peerless Industries, Inc. ■ 2300 White Oak Circle ■ Aurora, IL 60502 ■ (800) 865-2112 ■ (630) 375-5100 ■ Fax: (800) 359-6500 ■ [peerless-av.com](http://peerless-av.com)

Visit [peerless-av.com](http://peerless-av.com) to see the complete line of AV solutions from Peerless-AV, including flat panel mounts, projector mounts, carts/stands, furniture, cables, display cleaners and a full assortment of accessories.