

PRS-KIT0811
PRS-KIT1420
PRS-KIT2026

PRS Series Adjustable Extension Projector Mount Kit

For Multimedia Projectors up to 25lb (11kg)

The PRS Series Projector Mount adjustable height ceiling kits provide an all in one solution for quick and easy installations where variable drop length is needed. The kitted ceiling mount is available in three adjustable sizes to accommodate various desired drop lengths. It can be mounted to any common ceiling structure, and can be flush mounted where a low-profile application is needed. The PRS adjustable height kits are specifically designed to save time and money when mounting projectors.



Max load: 25lb (11kg)

FEATURES

- Comes in three adjustable height ranges in 1" increments:
PRS-KIT0811:
6"-9" (152-229mm)
PRS-KIT1420:
12"-18" (305-457mm)
PRS-KIT2026:
18"-24" (457-610mm)
- Each column measures 1" longer than stated drop to provide finished drop length for various mounts
- Pre-assembled design reduces installation time
- Cable management allows cables to be routed through projector mount out of sight
- Quick-release mechanism to easily service projector
- Ceiling plate is included in the box for an all in one mounting solution
- Includes PRS Series Projector Mount for quick and precise image alignment
- Specifications:
 - Tilt: +5°-20°
 - Roll: ±10°
 - Swivel: 360°

■ **ACHIEVE PRECISE HEIGHT RANGE**
Comes in three adjustable height ranges in 1" increments

■ **IMAGE ALIGNMENT MADE EASY**
Includes PRS Series Projector Mount that features four independent adjustment points allowing for quick and precise image alignment

■ **UNIVERSAL COMPATIBILITY**
Includes the Spider® Universal Adapter Plate which extends up to 17.63" (448mm) to fit most projector models

■ **EFFORTLESS PROJECTOR MAINTENANCE**
With its intuitively designed quick-release thumbscrew that smoothly unwinds to enable easy-glide removal of the projector in and out of the mount. No tools required.



Model Numbers

PRS-KIT0811	PRS Series Adjustable Extension Kit 6"-9" (152 - 229mm)
PRS-KIT1420	PRS Series Adjustable Extension Kit 12"-18" (305 - 457mm)
PRS-KIT2026	PRS Series Adjustable Extension Kit 18"-24" (457 - 610mm)

Product Specifications

	DIMENSIONS (W x H x D) with adapter plate	PRODUCT WEIGHT	LOAD CAPACITY	FINISH	AVAILABLE COLORS
PRS-KIT0811	8.5"-17.63" x 10.75"-13.75" x 8.5"-17.63" (216-448 x 273-349 x 216-448mm)	5.36lb (2.43kg)	25lb (11kg)	Scratch resistant fused epoxy	Black
PRS-KIT1420	8.5"-17.63" x 15.75"-22.75" x 8.5"-17.63" (216-448 x 400-575 x 216-448mm)	7.14lb (3.23kg)			
PRS-KIT2026	8.5"-17.63" x 22.56"-28.57" x 8.5"-17.63" (216-448 x 573-726 x 216-448mm)	8.70lb (3.94kg)			

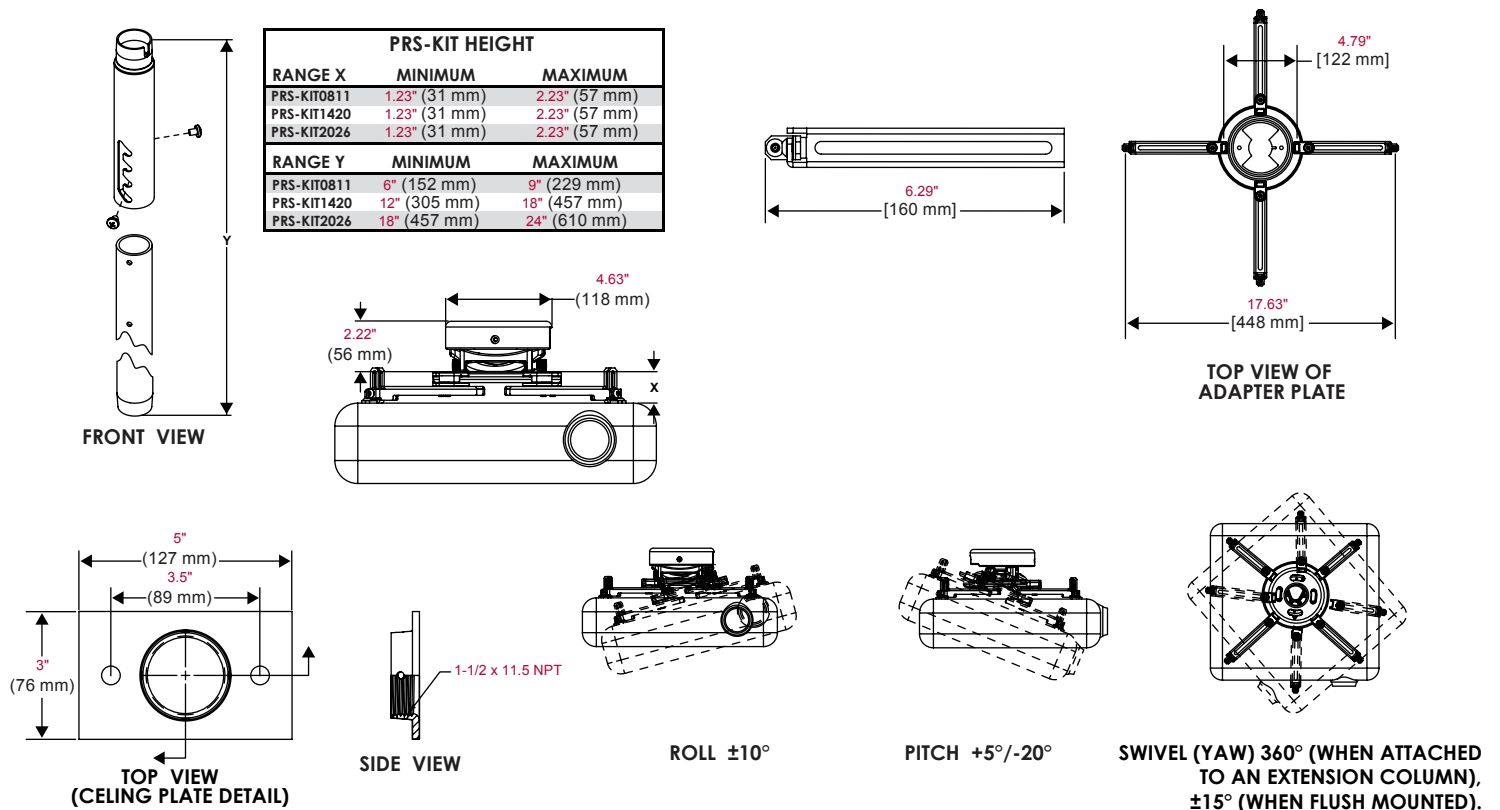
Package Specifications

	PACKAGE SIZE (W x H x D)	PACKAGE SHIP WEIGHT	PACKAGE UPC CODE	PACKAGE CONTENTS	UNITS IN PACKAGE
PRS-KIT0811	10.5" x 4.25" x 21" (266.7 x 107.9 x 533.4mm)	7.44lb (3.77kg)	735029238140	Ceiling plate, adjustable extension columns, PRS Series Projector Mount, Spider® Universal Adapter Plate, mounting and projector attachment hardware, assembly instructions	1
PRS-KIT1420	10.5" x 4.25" x 21" (266.7 x 107.9 x 533.4mm)	9.24lb (4.19kg)	735029238157		
PRS-KIT2026	10.5" x 4.25" x 21" (266.7 x 107.9 x 533.4mm)	10.78lb (4.88kg)	735029238164		

Accessories

CMJ Models, ACC570, ACC571, ACC912:	Ceiling Kits	ACC800/850 & ACC852/856:	Cable Management Adapter
ACC840/845:	Anti-Vibration Mount	ACC830:	Side-to-Side Adjuster

All dimensions = inch (mm)



ARCHITECTS SPECIFICATIONS

The Universal Projector Ceiling Mount shall be a Peerless model PRS-KIT0811; PRS-KIT1420; PRS-KIT2026 and shall be located where indicated on the plans. It shall feature 25°(+5°/-20°) pitch, 20°(+10°) roll, 360° yaw. It shall have a 25lb load capacity. It shall have a quick release spring loaded screw for easy removal and installation of the projector. It shall be constructed of aluminum alloy finished in black. Assembly and installation shall be done according to instructions provided by the manufacturer.