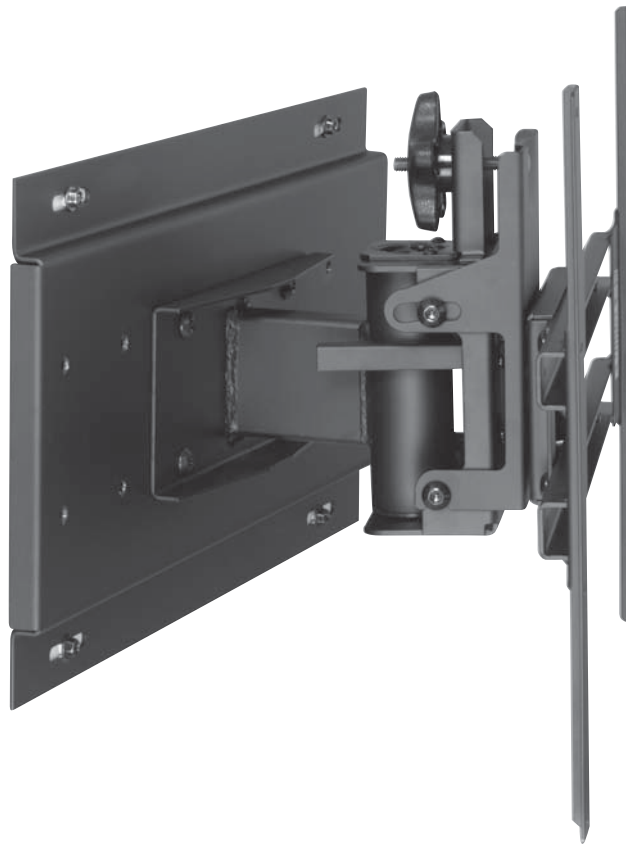


## Large Flat Panel Pivot Wall Mount



The Large Flat Panel Pivot Wall Mount is the ideal support when side-to-side movement and tilt are required. This product is perfect for hotel rooms, lobbies, conference rooms or public facilities. An easy to adjust leveling feature always ensures that the screen sits level. The screen can be mounted in landscape or portrait to accommodate all digital signage applications. This product comes in two sizes to support flat panel screens ranging from 30" to 63".

- For 30" to 63" Plasma & LCD flat panel screens
- Adjustable tilt and swivel for convenient viewing
- Security screws for peace of mind
- Easy leveling adjustment

**PS-1/ PS-2  
models**



## Large Flat Panel Pivot Wall Mount

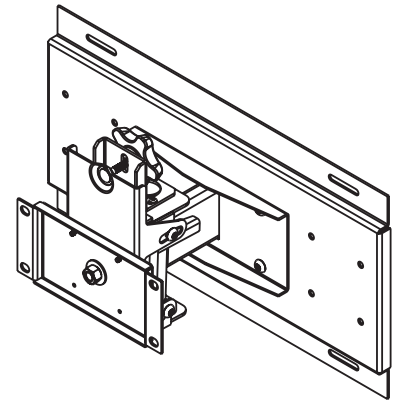
### Model Numbers

PS-1 (for 30" to 50" screens, Black)

PS-2 (for 60" to 63" screens, Black)

### Product Specifications

- 15° of swivel capability left to right
- 10° of adjustable forward tilt
- Theft-resistant security screws
- PS-1 extends 8.75" and PS-2 extends 10.125" from wall
- Easy leveling adjustment to ensure screen sits level at any angle
- Hardware for installation to wood studs (16" centers) and concrete
- PLP screen adapter plate offered separately
- UL Listed



DIMENSIONS (W x H x D) 22" x 11.58" x 8.75" (55.9 x 29.4 x 22.2 cm)

LOAD CAPACITY PS-1: 150 lb (68.2 kg)

PS-2: 225 lb (102.3 kg)

FINISH Black epoxy

AVAILABLE COLORS Black

### Package Specifications

Bracket, Wall Plate, Mounting Hardware  
(PLP screen adapter plate offered separately)

UNITS IN PACKAGE 1

PACKAGE SIZE (W x H x L) PS-1/ PS-2: 36.625" x 15" x 9.875" (93.0 x 38.1 x 25.1 cm)

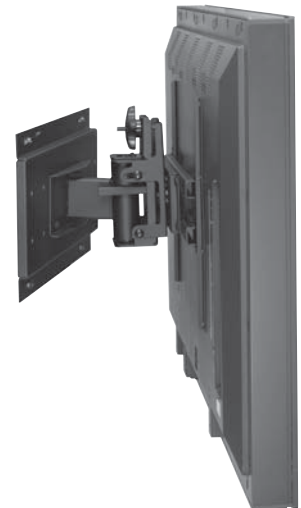
PACKAGE SHIP WEIGHT PS-1: 19.9 lb (9 kg)

PS-2: 24.2 lb (11 kg)

PACKAGE UPC CODE PS-1: 735029208112

PS-2: 735029209201

WARRANTY Limited 5-year



#### FEATURES

DIMENSIONS (W x H x D)

LOAD CAPACITY

FINISH

AVAILABLE COLORS

PACKAGE CONTENTS

UNITS IN PACKAGE

PACKAGE SIZE (W x H x L)

PACKAGE SHIP WEIGHT

PACKAGE UPC CODE

WARRANTY

(800) 865-2112  
www.peerlessmounts.com

Peerless Industries, Inc.

3215 W. North Avenue, Melrose Park, IL 60160

(708) 865-8870 or (800) 865-2112 Fax: (708) 865-2941 www.peerlessmounts.com

© 2005 Peerless Industries, Inc. All rights reserved.

Peerless is a registered trademark of Peerless Industries, Inc.

All other brand and product names are trademarks or registered trademarks of their respective owners.

LIT-0018 rev1