

KOP2549(-S)-XHB  
KOP2555(-S)-XHB



# Smart City Kiosks

INCLUDES 49" OR 55" XTREME™ HIGH BRIGHT OUTDOOR DISPLAY

Replace static signage with Peerless-AV's award-winning Smart City Kiosk for greater public engagement and seamless updates of digital content whenever, wherever. With a focus on functionality and aesthetics, the Smart City Kiosk is designed to be modern, approachable, practical, and endure the rigors of everyday use. Installation is easy without the need for cranes or forklifts, and the locking rear door offers quick access to the display for maintenance. The included 49" or 55" Xtreme™ High Bright Outdoor Display offers full HD1080p resolution for a bright, crisp picture, even in direct sunlight. An optional 10-point IR touch overlay makes the kiosk interactive for all users. Peerless-AV's all-weather rated Smart City Kiosk is ideal for sharing community information, travel, and weather details, as well as wayfinding, advertising, entertainment, and more.

All Weather Rated Display: IP68



Display's Operating Temperature Range:  
-31°F - 140°F  
(-35°C to 60°C)

- Includes Peerless-AV® 49" (XHB492) or 55" (XHB552) Xtreme™ High Bright Outdoor Display to offer maximum flexibility
- Elegant, minimalistic design covers, protects and ventilates display and equipment
- No additional layer of glass needed between display and enclosure, reducing glare
- Wind tested up to 140 mph
- Easily add-on additional technology components for enhanced functionality, such as IR touch overlays, cameras, routers, antennas and more



**AMBIENT LIGHT SENSOR**

Automatically adjusts the display's brightness to best match lighting conditions

**IP68 RATED DISPLAY**

Fully sealed design prevents the ingress of foreign materials, such as water, dust, moisture and insects, from entering the display

**OPTIONAL PLUG & PLAY 10-POINT IR TOUCH OVERLAY**

Tested to IP56 standards to provide protection from water and dust, and works well with many input devices such as finger, glove or pointer

**ULTRA SLIM DESIGN**

Sleek and stylish, yet rugged enough to be installed in any application

**MEDIA STORAGE AREA**

Protects electronic components rated to 50°F (10°C) above local air temperature with filters and cooling fans (Tested to IP56 rating)

Kiosk: **RoHS**  
2012/21/EC

✉ info@peerless-av.com  
🌐 peerless-av.com

**peerless-AV®**  
Driving Technology Through Innovation

## Model Numbers

<b>KOP2549(-S)-XHB</b>	Smart City Kiosk, Includes 49" Xtreme™ High Bright Outdoor Display
<b>KOP2555(-S)-XHB</b>	Smart City Kiosk, Includes 55" Xtreme™ High Bright Outdoor Display

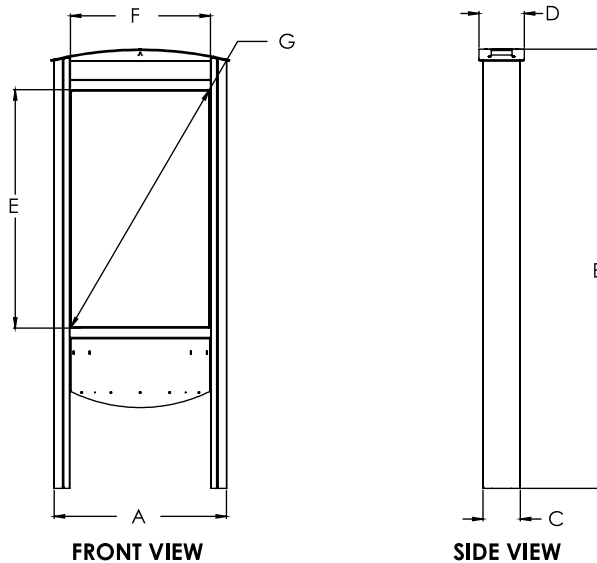
## Product Specifications

	DIMENSIONS (W x H x D)	STORAGE SPACE (W x H x D)	PRODUCT WEIGHT	FINISH	AVAILABLE COLORS
<b>KOP2549(-S)-XHB</b>	32.38" x 82.34" x 8.50" (822 x 2091 x 216mm)	Top: 26.00" x 4.00" x 5.50" (660 x 101 x 139mm) Bottom: 26.00" x 9.00" x 5.25" (660 x 228 x 133mm)	240lb (108kg)	Smooth Powder Coat	Black or Silver
<b>KOP2555(-S)-XHB</b>	35.38" x 82.34" x 8.50" (899 x 2091 x 216mm)	Top: 29.00" x 4.00" x 5.50" (736 x 101 x 139mm) Bottom: 29.00" x 9.00" x 5.25" (736 x 228 x 133mm)	352lb (160kg)		

## Package Specifications

	PACKAGE SIZE (W x H x D)	PACKAGE SHIP WEIGHT	PACKAGE UPC CODE	PACKAGE CONTENTS	UNITS IN PACKAGE
<b>KOP2549(-S)-XHB</b>	38.00" x 95.00" x 27.00" (965 x 2413 x 686mm)	280lb (127kg)	KOP2549-XHB: 735029324102 KOP2549-S-XHB: 735029324096	Kiosk, Mounting Hardware, Xtreme™ High Bright Outdoor Display and Instructions	1
<b>KOP2555(-S)-XHB</b>		367lb (166kg)	KOP2555-XHB: 735029324119 KOP2555-S-XHB: 735029324126		

All dimensions = inch (mm)



MODEL NO.	DIMENSION "A"	DIMENSION "B"	DIMENSION "C"	DIMENSION "D"	DIMENSION "E"	DIMENSION "F"	DIMENSION "G"
<b>KOP2549-XHB</b>	32.38" (822mm)	82.34" (2091mm)	7.00" (178mm)	8.50" (216mm)	42.08" (1069mm)	24.55" (623mm)	49.00" (1244mm)
<b>KOP2555-XHB</b>	35.38" (899mm)	82.34" (2091mm)	7.00" (178mm)	8.50" (216mm)	50.11" (1273mm)	29.06" (738mm)	55.00" (1397mm)

## Architect Specifications

The Smart City Kiosk shall be a Peerless-AV® model KOP2549(-S)-XHB or KOP2555(-S)-XHB and shall be located where indicated on the plans. Assembly and installation shall be done according to instructions provided by the manufacturer.

Visit [peerless-av.com](http://peerless-av.com) to see the complete line of AV solutions from Peerless-AV, including outdoor displays, wireless, kiosks, digital audio, display mounts, projector mounts, carts/stands, and a full assortment of accessories.

**Peerless-AV**  
 2300 White Oak Circle  
 Aurora, IL 60502 USA  
  
**(800) 865-2112**  
**(630) 375-5100**  
**Fax: (800) 359-6500**

**Peerless-AV EMEA**  
 Unit 3 Watford Interchange  
 Colonial Way, Watford  
 Herts, WD24 4WP  
 United Kingdom  
**+44 (0) 1923 200100**  
**Fax: +44 (0) 1923 200101**

**Peerless-AV Latin America**  
 Ave de las Industrias 413  
 Parque Industrial Escobedo  
 Escobedo, N.L.,  
 Mexico 66062  
**+52 (81) 8384-8300**  
**Fax: +52 (81) 8384-8360**

