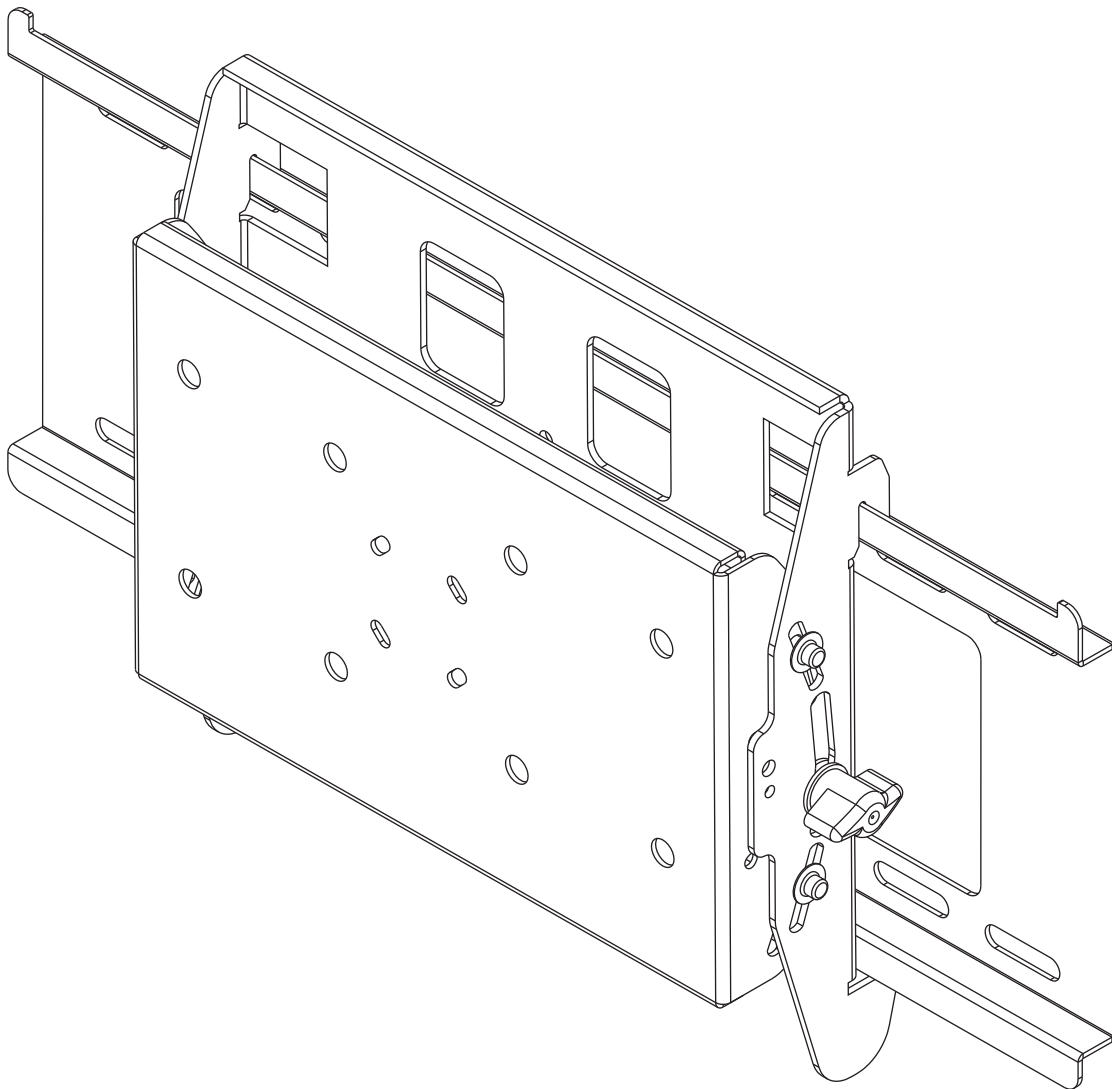


Installation and Assembly: Dedicated Tilt Wall Mount

Model: ST16D

Max Load Capacity: 200 lb (91 kg)



Note: Read entire instruction sheet before you start installation and assembly.

WARNING

- Do not begin to install your Peerless product until you have read and understood the instructions and warnings contained in this Installation Sheet. If you have any questions regarding any of the instructions or warnings, please call Peerless customer care at 1-800-865-2112.
- This product should only be installed by a qualified professional.
- Make sure that the supporting surface will safely support the combined load of the equipment and all attached hardware and components.
- Never exceed the Maximum Load Capacity of 200 lb (91 kg).
- If mounting to wood wall studs, make sure that mounting screws are anchored into the center of the studs. Use of an "edge to edge" stud finder is highly recommended.
- Always use an assistant or mechanical lifting equipment to safely lift and position equipment.
- Tighten screws firmly, but do not overtighten. Overtightening can damage the items, greatly reducing their holding power.

Tools Needed for Assembly

- stud finder ("edge to edge" stud finder is recommended)
- phillips screwdriver
- drill
- 5/16" bit for concrete and cinder block wall
- 5/32" bit for wood stud wall
- level
- 6 mm allen wrench

Accessories

- Metal Stud Fastener Kit (ACC 415)

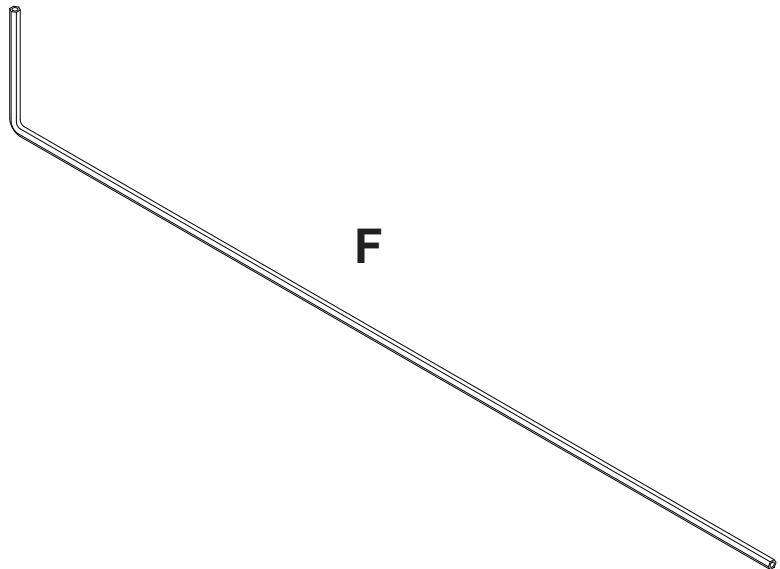
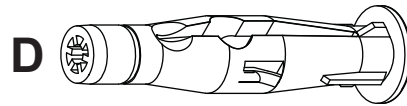
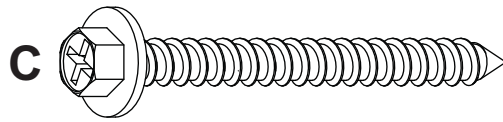
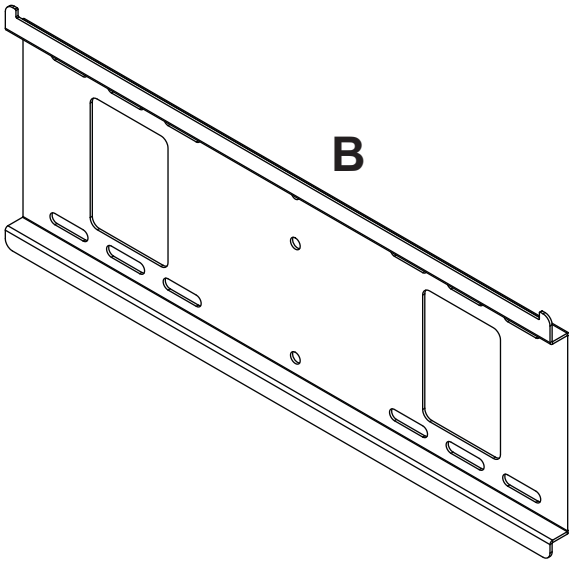
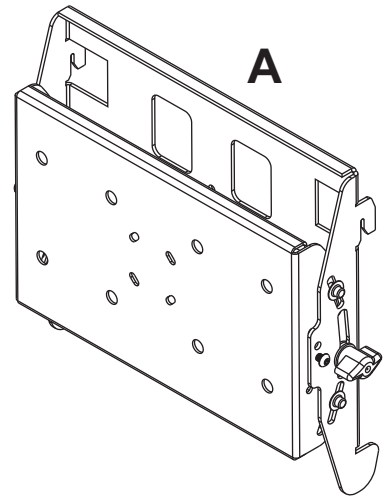
Table of Contents

Parts List.....	3
Installation to Single Stud Wall.....	4
Installation to Double Wood Stud Wall.....	5
Installation to Solid Concrete or Cinder Block.....	6
Attaching PLP Adapter Plate to Tilt Bracket Assembly.....	7
Attaching LC Adapter Plate to Tilt Bracket Assembly.....	8
Mounting and Removing Flat Panel Screen.....	9
Adjusting the Tilt Angle of the Flat Panel Screen.....	10

Before you begin, make sure all parts shown are included with your product.

Parts List		
Description	Qty	Part #
A tilt bracket assembly	1	200-0936
B wall plate	1	200-1797
C #14 x 2.5" wood screw	4	5S1-015-C03
D concrete anchor	4	590-0320
E M10 x 15 mm socket head screw	4	520-9262
F 4 mm security allen wrench	1	560-1146

Parts may appear slightly different than illustrated.



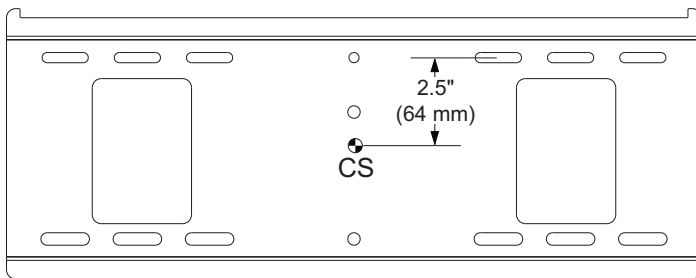
Installation to Single Wood Stud Wall

⚠ WARNING

- Installer must verify that the supporting surface will safely support the combined load of the equipment and all attached hardware and components.
- Tighten wood screws so that wall plate is firmly attached, but do not overtighten. Overtightening can damage the screws, greatly reducing their holding power.
- Never tighten in excess of 80 in. • lb (9 N.M.).
- Make sure that mounting screws are anchored into the center of the stud. The use of an "edge to edge" stud finder is highly recommended.
- Hardware provided is for attachment of mount through standard thickness drywall or plaster into wood studs. Installers are responsible to provide hardware for other types of mounting situations.

- 1 Use a stud finder to locate the edges of the stud. Use of an edge-to-edge stud finder is highly recommended. Based on its edges, draw a vertical line down the stud's center. Place wall plate (**B**) on wall as a template, making sure that the three mounting holes are over the stud centerline. The top mounting hole should be 2.5" above the desired screen center as shown in figure 1.1. Level plate, and mark the center of the three holes. Drill three 5/32" (4 mm) dia. holes 2-1/2" (64 mm) deep. Make sure that the wall plate is level, secure it using three #14 x 2.5" wood screws (**C**) as shown in figure 1.2.

Skip to step 2 on page 7.



CS = center of screen

fig. 1.1

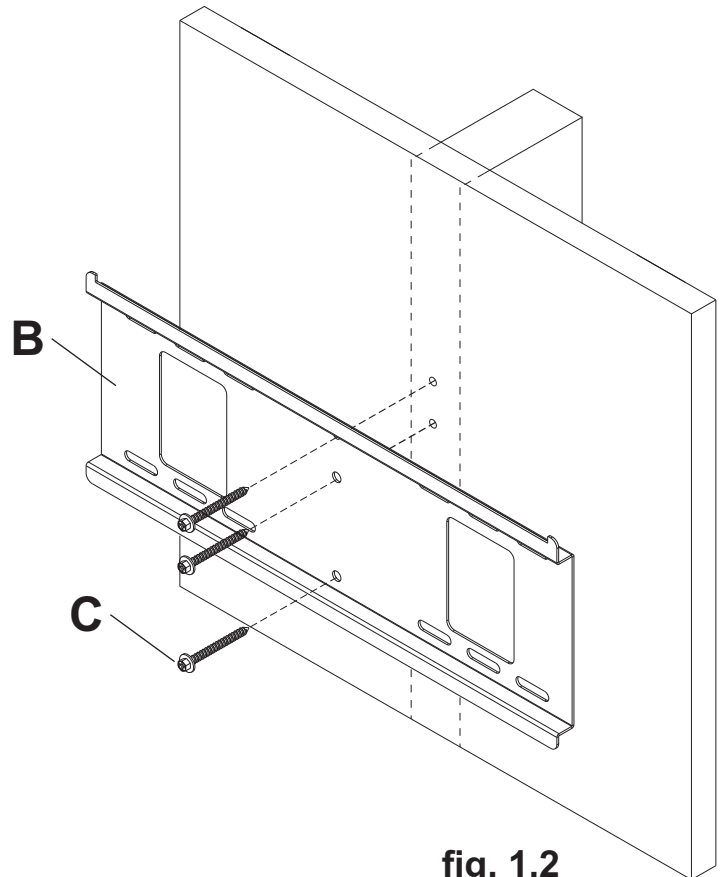


fig. 1.2

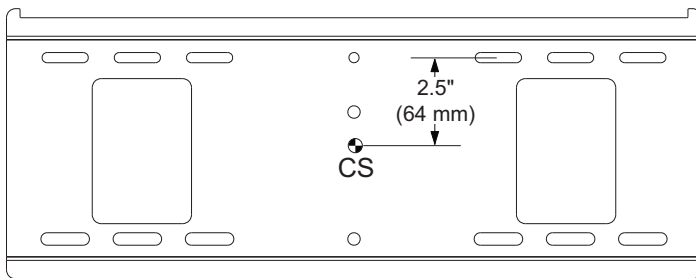
Installation to Double Wood Stud Wall

⚠ WARNING

- Installer must verify that the supporting surface will safely support the combined load of the equipment and all attached hardware and components.
- Tighten wood screws so that wall plate is firmly attached, but do not overtighten. Overtightening can damage the screws, greatly reducing their holding power.
- Never tighten in excess of 80 in. • lb (9 N.M.).
- Make sure that mounting screws are anchored into the center of the stud. The use of an "edge to edge" stud finder is highly recommended.
- Hardware provided is for attachment of mount through standard thickness drywall or plaster into wood studs. Installers are responsible to provide hardware for other types of mounting situations.

- 1 Wall plate (**B**) can be mounted to two studs that are 16" apart. Use a stud finder to locate the edges of the studs. Use of an edge-to-edge stud finder is highly recommended. Based on their edges, draw a vertical line down each stud's center. Place wall plate on wall as a template. The top mounting slots should be 2.5" above the desired screen center as shown in figure 1.3. Level plate, and mark the center of the four mounting holes. Make sure that the mounting holes are on the stud centerlines. Drill four 5/32" (4 mm) dia. holes 2-1/2" (64 mm) deep. Make sure that the wall plate is level, secure it using four #14 x 2.5" wood screws (**C**) as shown in figure 1.4.

Skip to step 2 on page 7.



CS = center of screen

fig. 1.3

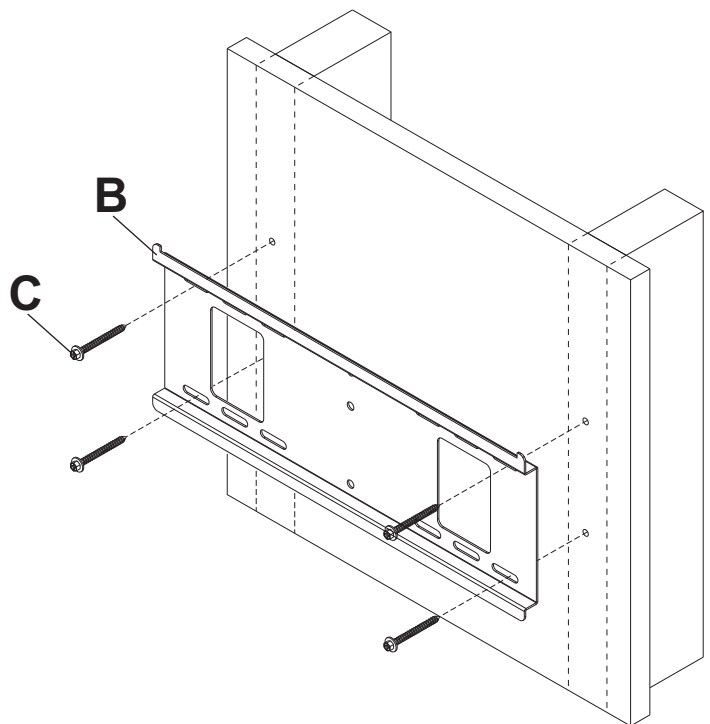


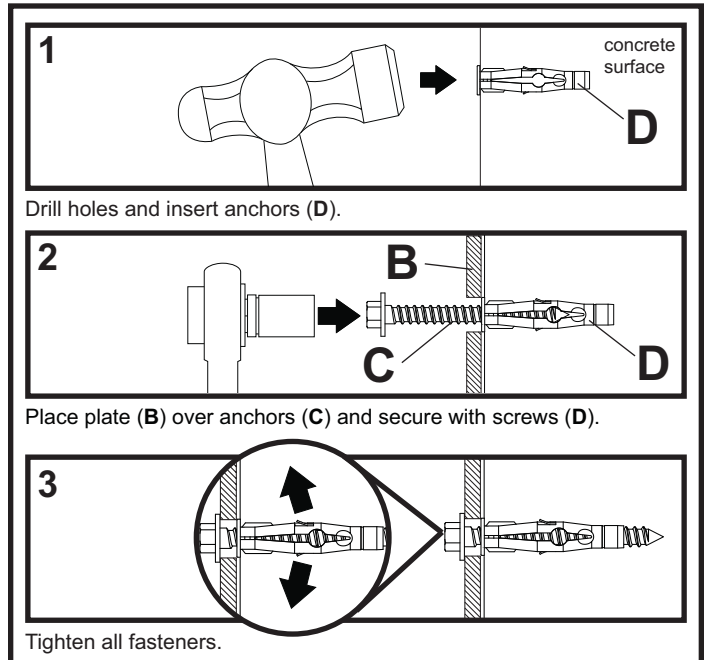
fig. 1.4

Installation to Solid Concrete or Cinder Block

⚠ WARNING

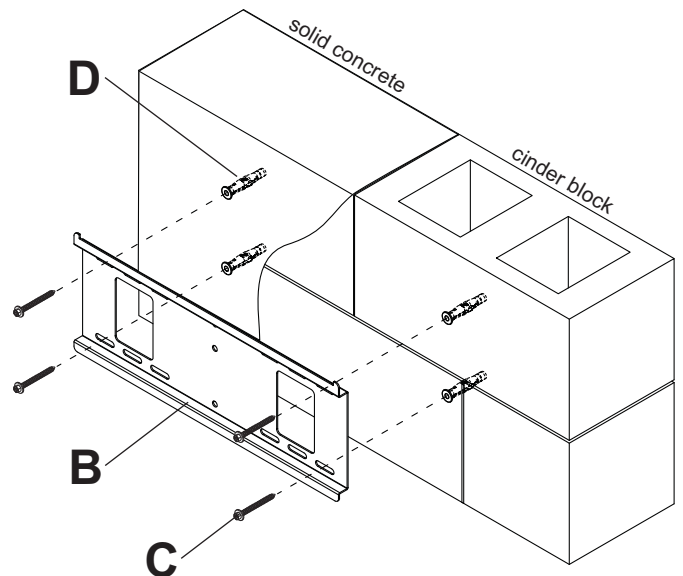
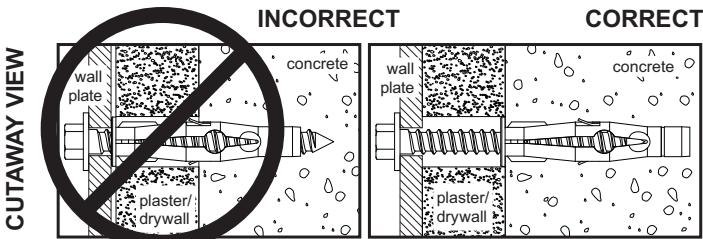
- When installing Peerless wall mounts on cinder block, verify that you have a minimum of 1-3/8" of actual concrete thickness in the hole to be used for the concrete anchors. Do not drill into mortar joints! Be sure to mount in a solid part of the block, generally 1" minimum from the side of the block. Cinder block must meet ASTM C-90 specifications. It is suggested that a standard electric drill on slow setting is used to drill the hole instead of a hammer drill to avoid breaking out the back of the hole when entering a void or cavity.
- Concrete must be 2000 psi density minimum. Lighter density concrete may not hold concrete anchor.
- Make sure that the supporting surface will safely support the combined load of the equipment and all attached hardware and components.

- 1** Make sure that wall plate (B) is level, use it as a template to mark four mounting holes. The top mounting hole should be 2.5" above the desired screen center as shown in figure 1.1 on page 4. Drill four 5/16" (8 mm) dia. holes to a minimum depth of 2.5" (64 mm). Insert anchors (D) in holes flush with wall as shown (right). Place wall plate over anchors and secure with #14 x 2.5" screws (C). Level, then tighten all fasteners.



⚠ WARNING

- Tighten screws so that wall plate is firmly attached, but do not overtighten. Overtightening can damage screws, greatly reducing their holding power.
- Never tighten in excess of 80 in. • lb (9 N.M.).
- Always attach concrete expansion anchors directly to load-bearing concrete.
- Never attach concrete expansion anchors to concrete covered with plaster, drywall, or other finishing material. If mounting to concrete surfaces covered with a finishing surface is unavoidable, the finishing surface must be counterbored as shown below. Be sure concrete anchors do not pull away from concrete when tightening screws. If plaster/drywall is thicker than 5/8" (16 mm), custom fasteners must be supplied by installer.



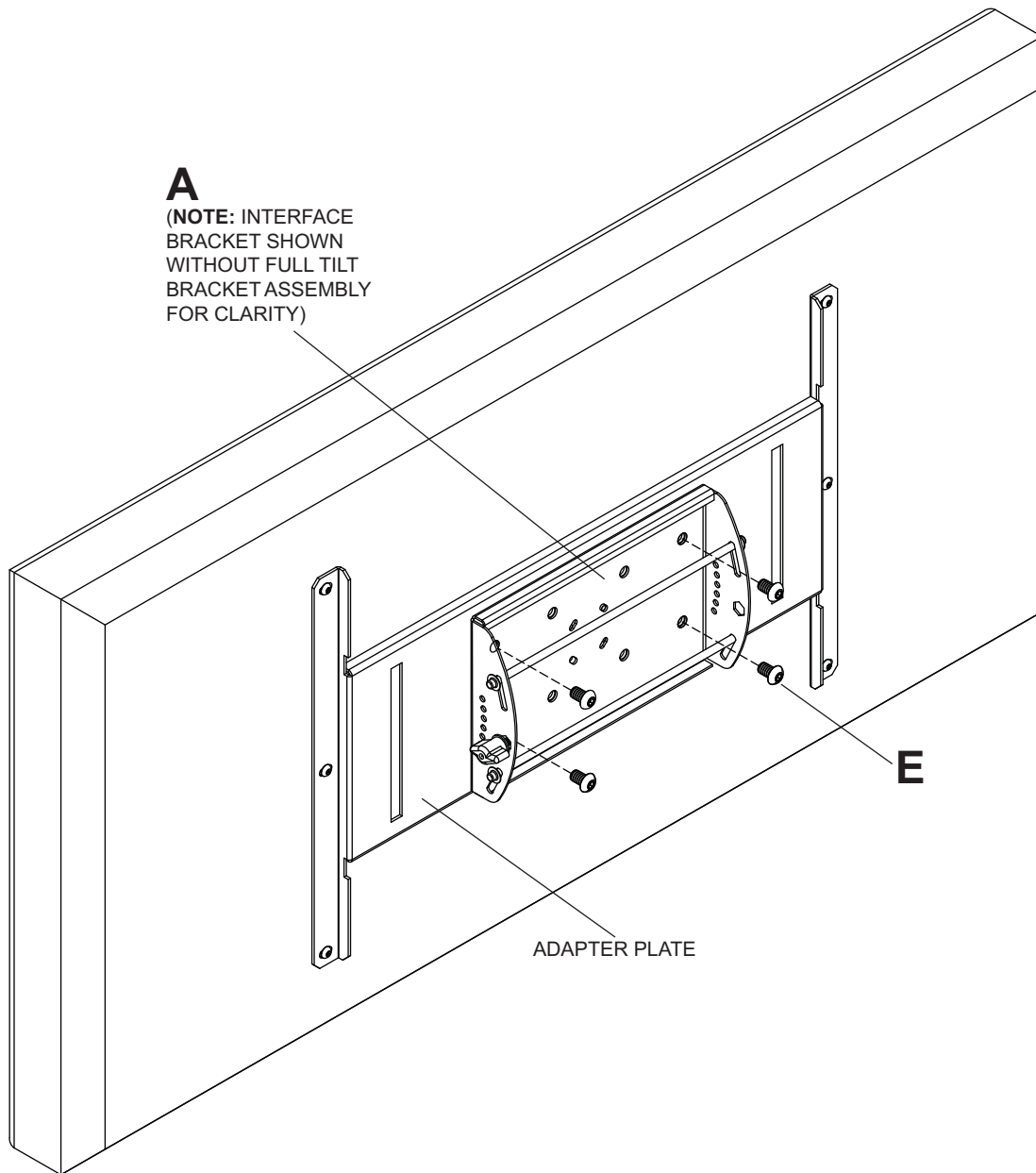
Note: Refer to accompanying instruction sheet for attachment of adapter plate to screen before proceeding with step 2.

Attaching PLP Adapter Plate to Tilt Bracket Assembly

2 Attach adapter bracket to interface bracket of tilt bracket assembly (A) using four M10 screws (E).

Note: Full tilt bracket assembly not shown for clarity.

Skip to step 3.



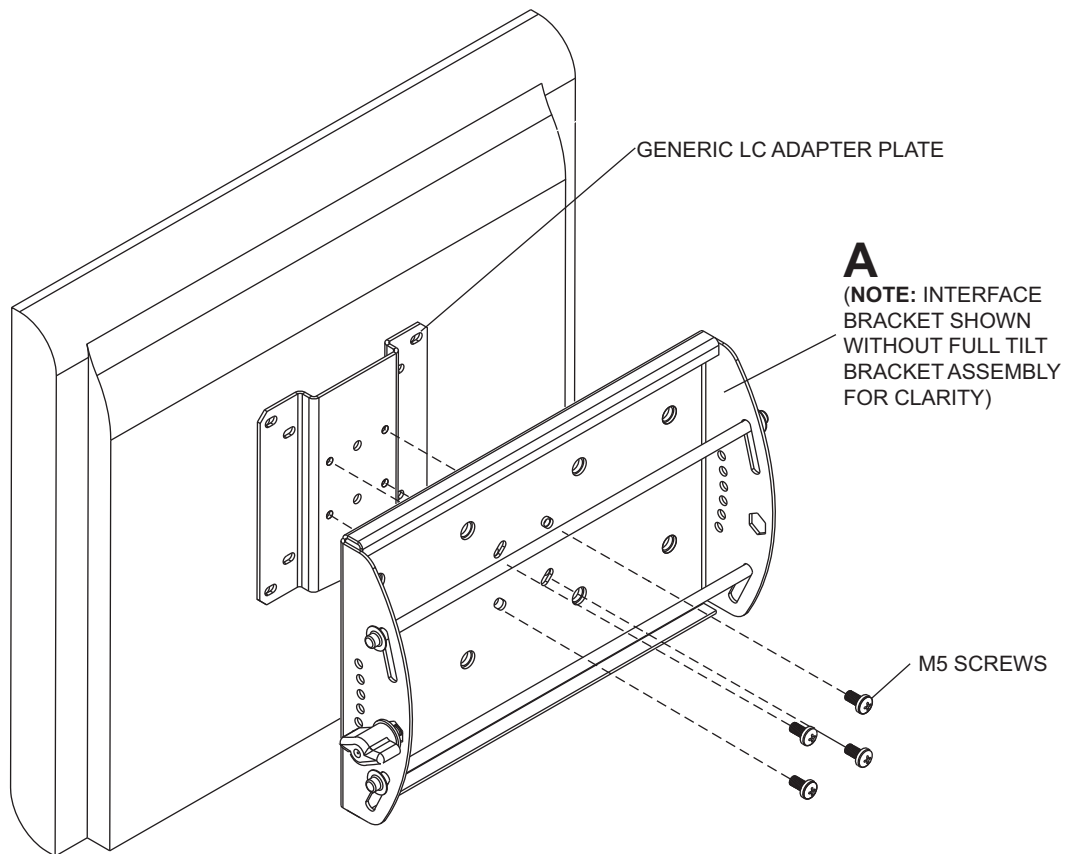
Note: Refer to accompanying instruction sheet for attachment of adapter plate to screen before proceeding with step 2.

Attaching LC Adapter Plate to Tilt Bracket Assembly

- 2 To prevent scratching the screen, set a cloth on a flat, level surface that will support the weight of the screen. Place screen face side down. Attach the interface bracket of tilt bracket assembly (**A**) to the LC adapter plate (sold separately) using four M5 screws provided with plate as shown.

⚠ WARNING

- Tighten screws so interface bracket is firmly attached. Do not tighten with excessive force. Overtightening can cause stress damage to screws, greatly reducing their holding power and possibly causing screw heads to become detached. Tighten to 40 in. • lb (4.5 N.M.) maximum torque.



Mounting and Removing Flat Panel Screen

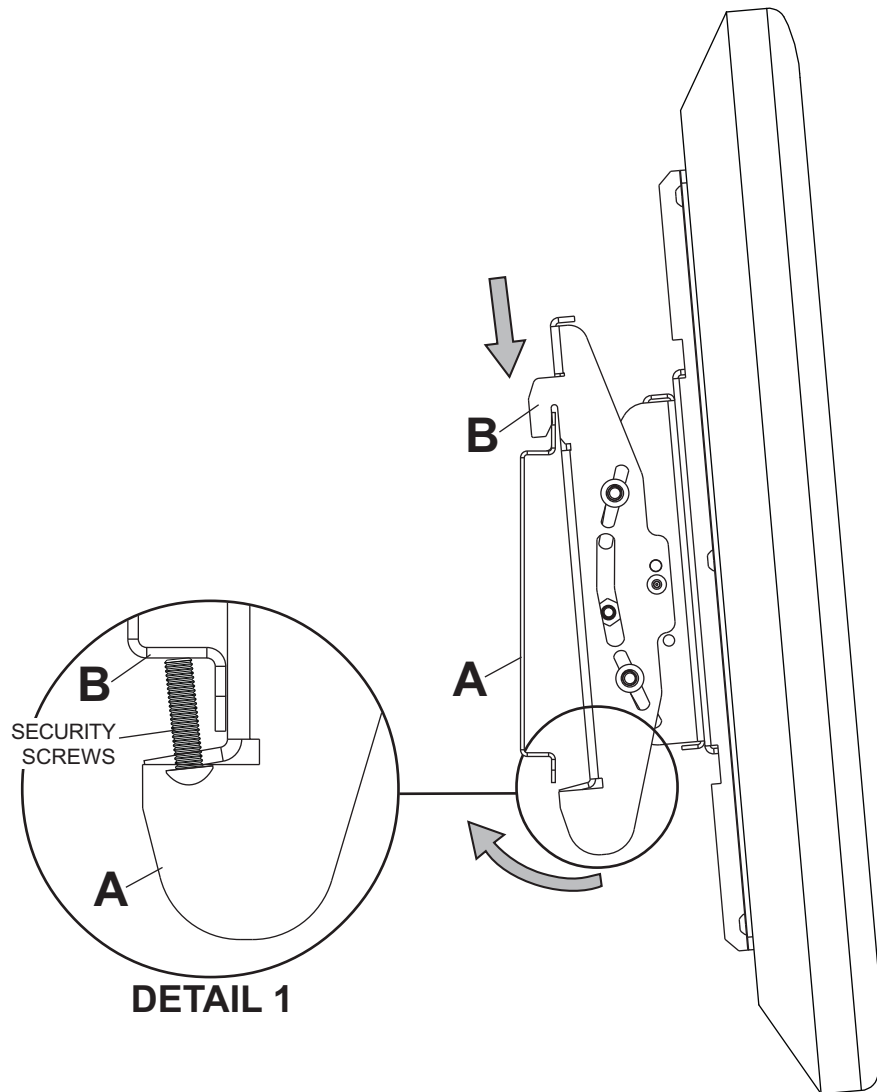
3 Hook tilt bracket assembly (A) onto wall plate (B). Then slowly swing screen in as shown. To lock the screen down, tighten security screw to wall plate using security allen wrench (F) as shown in detail 1.

If mount is attached to double wood stud, solid concrete, or cinder block wall, screen can be adjusted horizontally if desired. If mount is attached to single wood stud wall, screen must be centered on wall plate (B).

To remove screen from mount, loosen security screws, swing screen away from mount, and lift screen off of mount.

⚠ WARNING

- Always use an assistant or mechanical lifting equipment to safely lift and position the plasma television.



Adjusting the Tilt Angle of the Flat Panel Screen

- 4** Adjust tension knob on right side of mount shown in detail 2 to desired tension to balance your screen size and weight.

Push or pull from top or bottom of screen to adjust tilt as shown in figure 4.1. The tilt can be adjusted to a maximum of 15° forward or 5° backward.

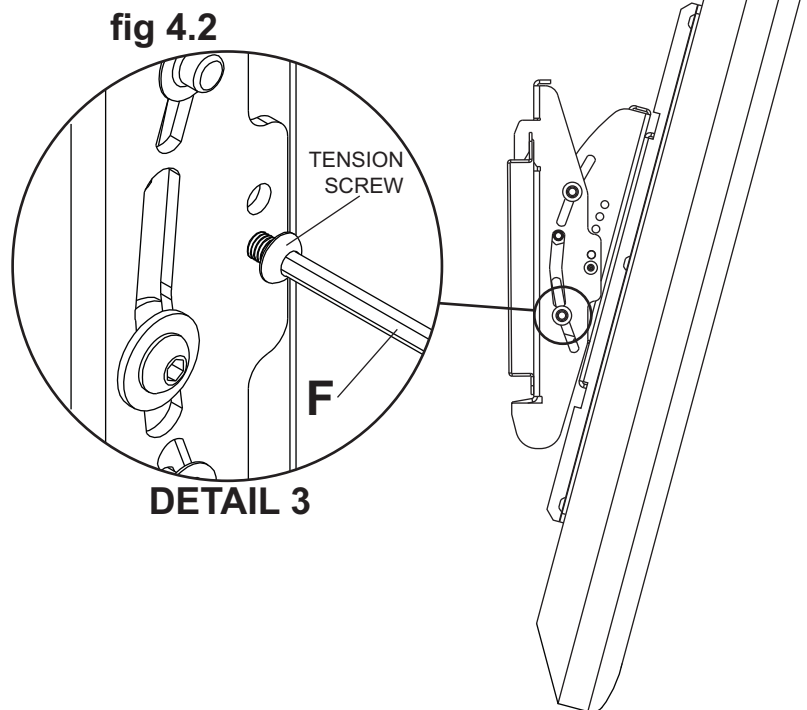
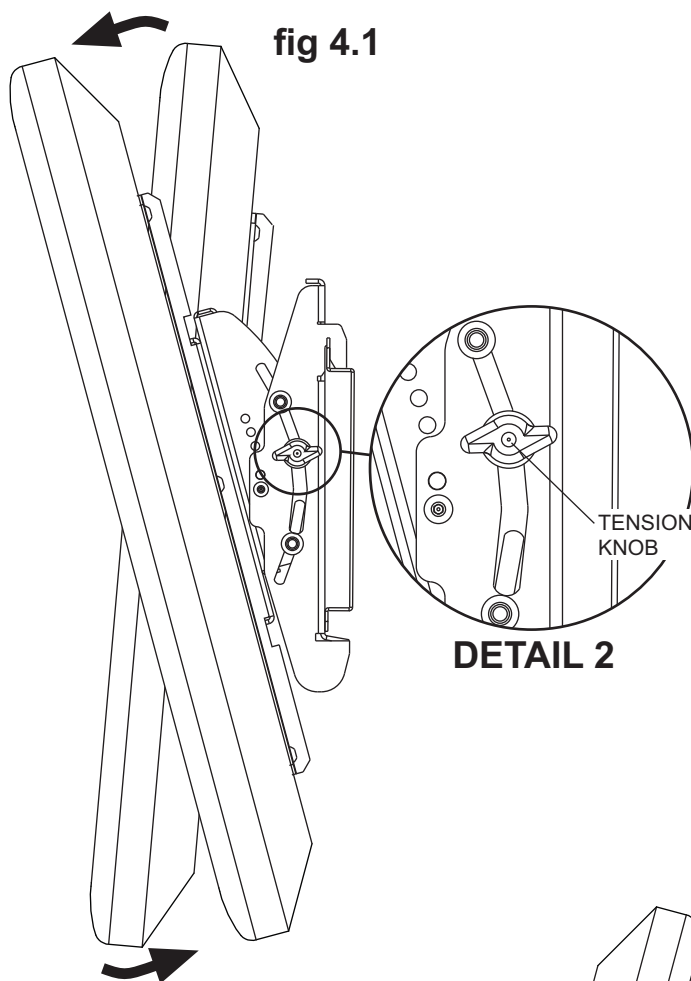
Note: To lock the screen into the desired tilt position, tighten tension screws on both sides of mount shown in figure 4.2 and detail 3 using wrench (F).

CAUTION

- Do not tighten screws with excessive force. Overtightening can cause damage to mount. Tighten screws to 40 in. • lb (4.5 N.M.) maximum torque.

⚠ CAUTION

- Be careful not to pinch fingers when pushing screen from the bottom.



LIMITED FIVE-YEAR WARRANTY

Peerless Industries, Inc. ("Peerless") warrants to original end-users of Peerless® products will be free from defects in material and workmanship, under normal use, for a period of five years from the date of purchase by the original end-user (but in no case longer than six years after the date of the product's manufacture). At its option, Peerless will repair or replace, or refund the purchase price of, any product which fails to conform with this warranty.

In no event shall the duration of any implied warranty of merchantability or fitness for a particular purpose be longer than the period of the applicable express warranty set forth above. Some states do not allow limitations on how long an implied warranty lasts, so the above limitation may not apply to you.

This warranty does not cover damage caused by (a) service or repairs by the customer or a person who is not authorized for such service or repairs by Peerless, (b) the failure to utilize proper packing when returning the product, (c) incorrect installation or the failure to follow Peerless' instructions or warnings when installing, using or storing the product, or (d) misuse or accident, in transit or otherwise, including in cases of third party actions and force majeure.

In no event shall Peerless be liable for incidental or consequential damages or damages arising from the theft of any product, whether or not secured by a security device which may be included with the Peerless® product. Some states do not allow the exclusion or limitation of incidental or consequential damages, so the above limitation or exclusion may not apply to you.

This warranty is in lieu of all other warranties, expressed or implied, and is the sole remedy with respect to product defects. No dealer, distributor, installer or other person is authorized to modify or extend this Limited Warranty or impose any obligation on Peerless in connection with the sale of any Peerless® product.

This warranty gives specific legal rights, and you may also have other rights which vary from state to state.

peerless-AV

www.peerlessmounts.com

© 2011 Peerless Industries, Inc.