

Installation and Assembly - Support Column's for Flat Panel Pedestal Mounts

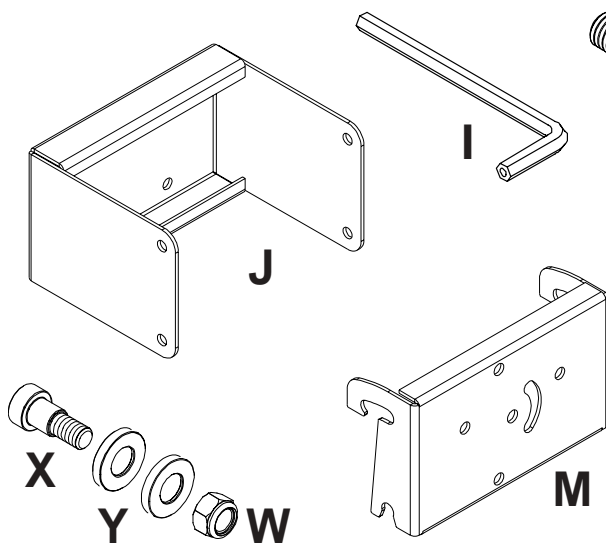
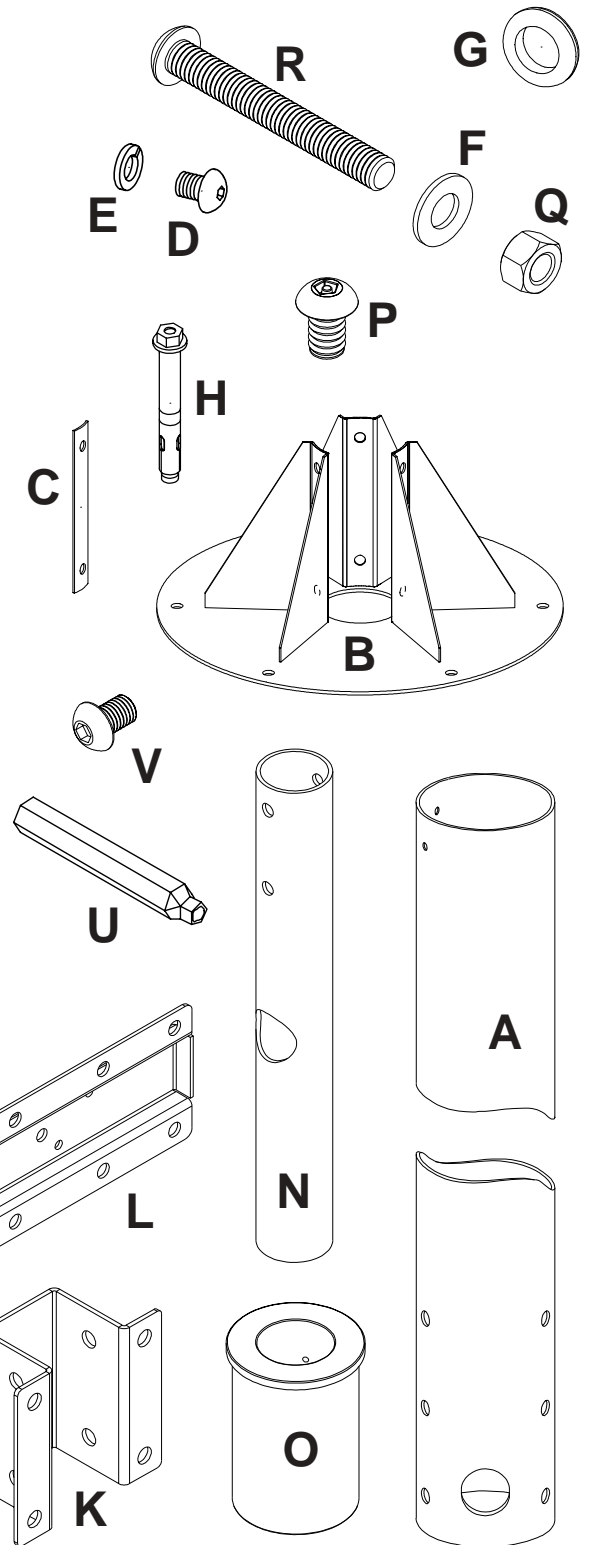
Models: COL 510P, COL 610P,
COL 710P, COL 810P

IMPORTANT! Read entire instruction sheet before you start installation and assembly.

Parts List

PART #	QTY.	DESCRIPTION
A	200-1106	1 support column (model COL 510P only)
	200-1107	(model COL 610P only)
	200-1108	(model COL 710P only)
	200-1109	(model COL 810P only)
B	120-0041	1 base plate
C	1390-472	3 fastener plate
D	5S1-M10-A20	6 M10-1.5 x 20 mm socket head screw
E	540-9424	6 lock washer
F	540-9407	14 flat washer
G	530-9401	2 rubber grommet
H	5M9-381-H03	6 concrete expansion anchor
I	560-9646	1 4 mm security allen wrench
J	200-1096	1 tilt bracket
K	200-1095	1 tube support
L	200-1094	1 adapter mount
M	200-1093	1 swivel bracket
N	200-1517	1 neck tube
O	590-1111	1 column bushing
P	520-9263	16 M10 x 1.5 x 15 mm penta pin screw
Q	530-9310	2 3/8 x 16 nylock nut
R	520-1015	2 3/8 x 16 x 3" socket screw bolt
T	520-1065	2 M5 x .8 x 20 mm socket pin screw
U	520-9260	1 M10 penta pin tool
V	520-9525	3 M8 x 1.25 x 12 mm socket head screw
W	530-9306	1 5/16-18 nylock nut
X	500-1082	1 5/16-18 x 3/8 shoulder bolt screw
Y	540-9454	2 3/8 x 3/4 x 1/8 flat washer

Some parts may appear slightly different than illustrated.

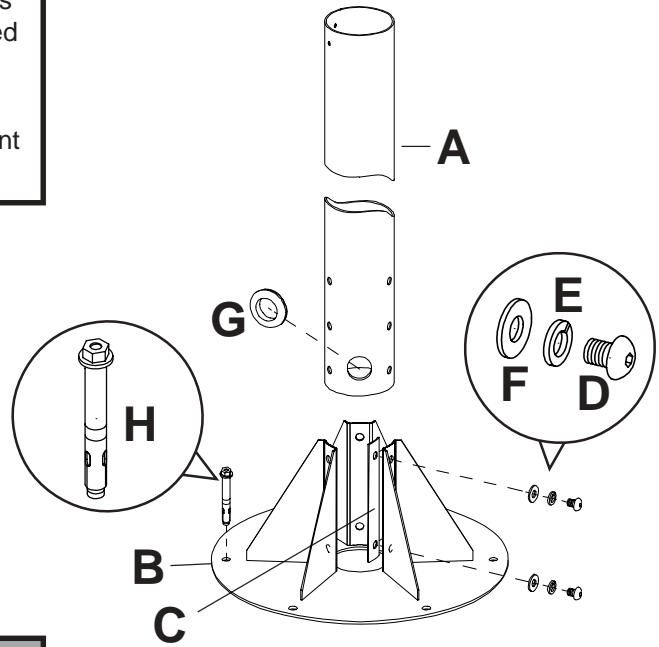


Before you start make sure all parts listed are included with your product.

⚠ WARNING

- Flat panel weight is restricted to a maximum of 150 lb (68 kg). Interfacing flat panel into electrical system at installation site must conform to local electrical codes governing such installations and be done by a qualified electrician / electrical contractor.
- Installer must verify that mounting surface will safely support the combined weight of all attached equipment and hardware.

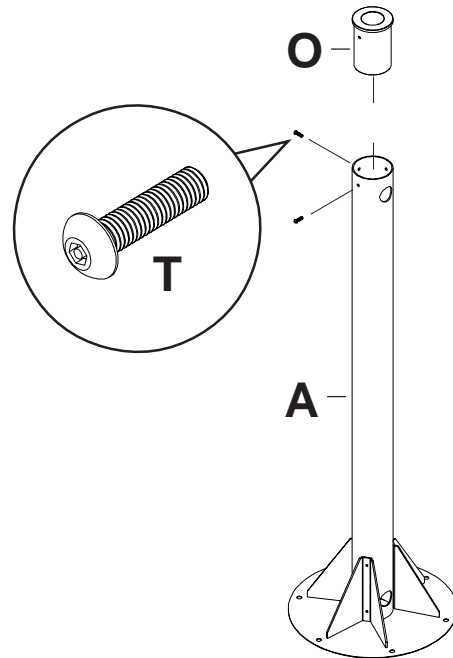
- 1** Insert rubber grommet (**G**) into hole in bottom of support column (**A**).
- 2** At all three support legs attach support column (**A**) to base plate (**B**) using fastener plates (**C**), M10-1.5 x 20 mm socket head screws (**D**), lock washers (**E**), and flat washers (**F**). **Note:** Leave screws slightly loose until all are attached, then tighten all screws securely.
- 3** Attach base plate (**B**) to concrete floor. Use six Rawl-Bolt concrete expansion anchors (**H**). Drill 3/8" dia. holes to a minimum depth of 2".



⚠ WARNING

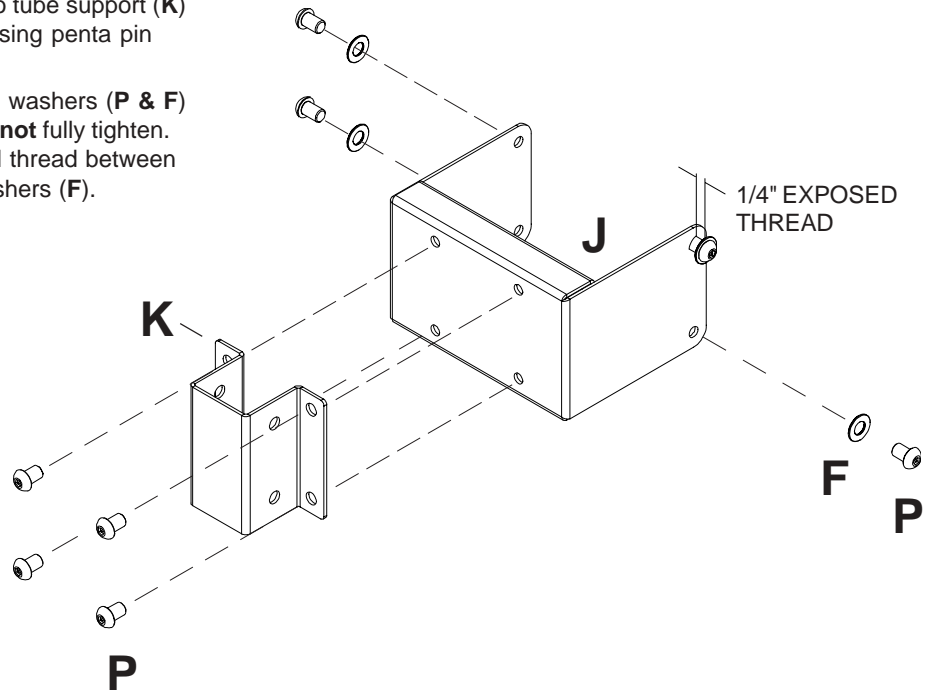
- For attachment to concrete floor only! All six concrete expansion anchors must be used.
- Tighten to 420 IN • LB (47.6 N.M.) torque.

- 4** Attach column bushing (**O**) to support column (**A**) using two screws (**T**). The screws control swivel action, so do not tighten until product is fully assembled and flat panel is in viewing position.

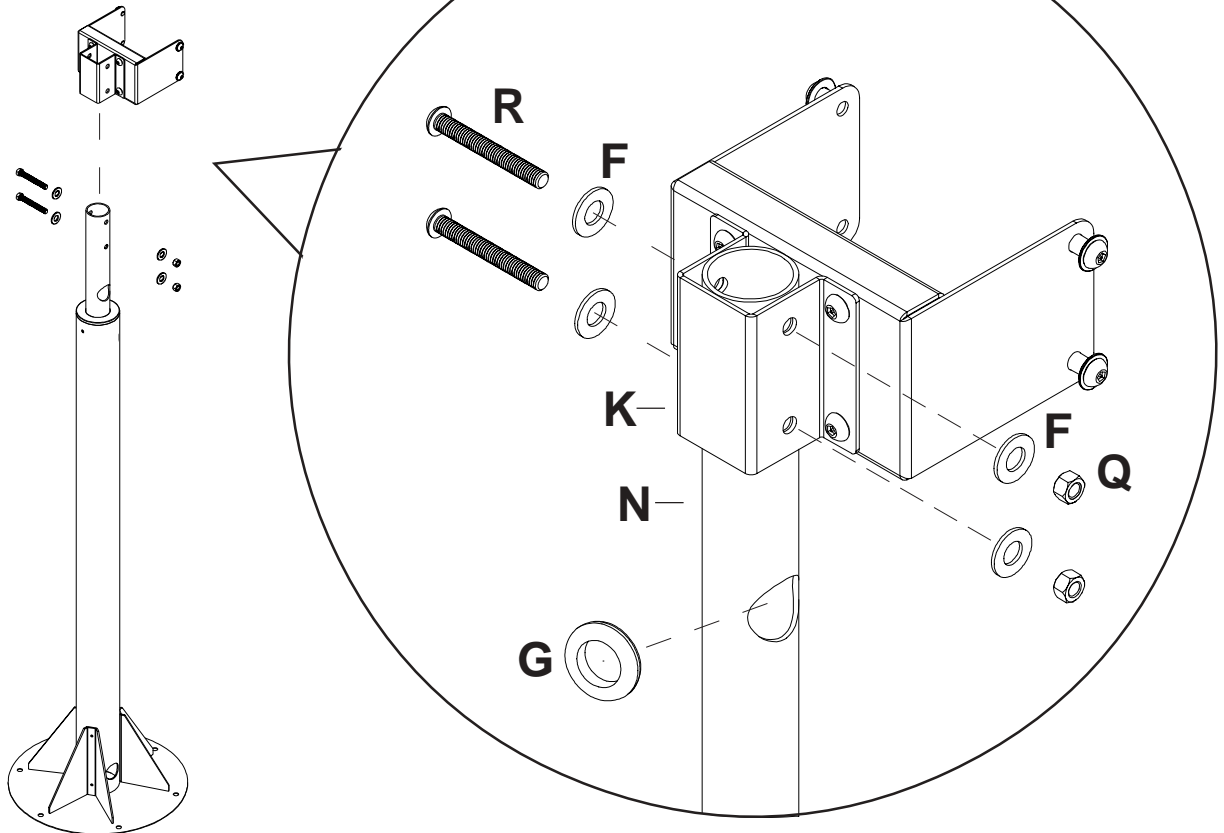


- 5** Attach tilt bracket (J) to tube support (K) with four screws (P) using penta pin tool (U).

Insert four screws and washers (P & F) into tilt bracket (J). **Do not** fully tighten. Leave 1/4" of exposed thread between tilt bracket (J) and washers (F).



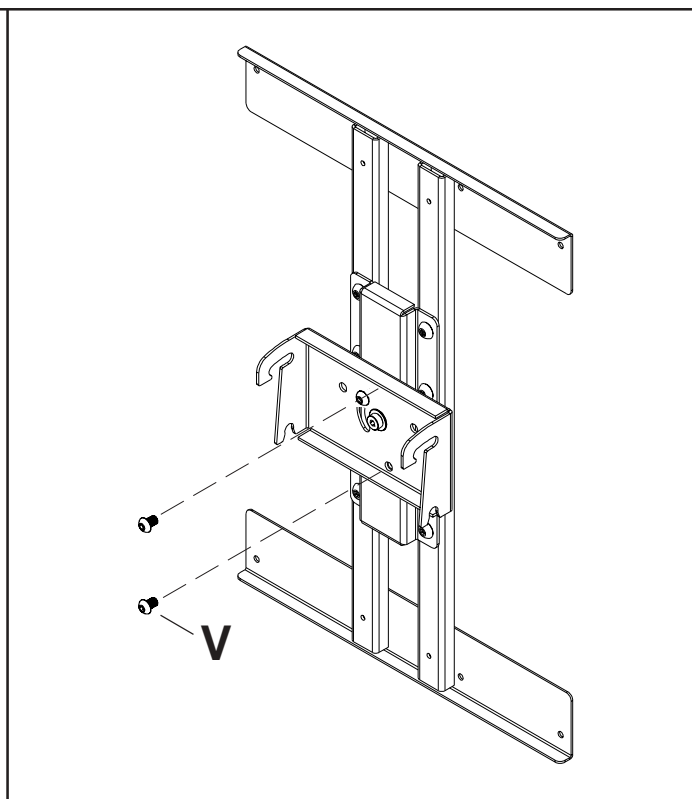
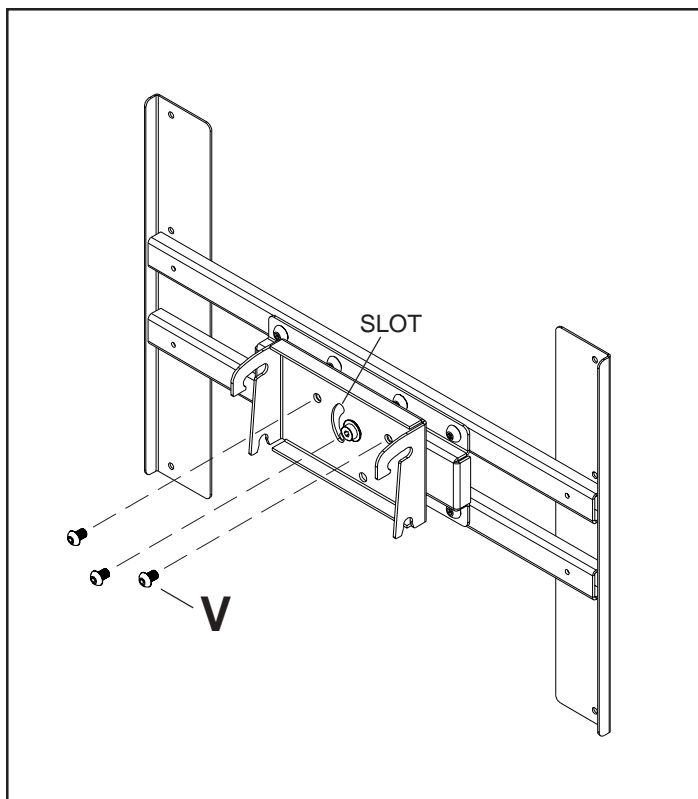
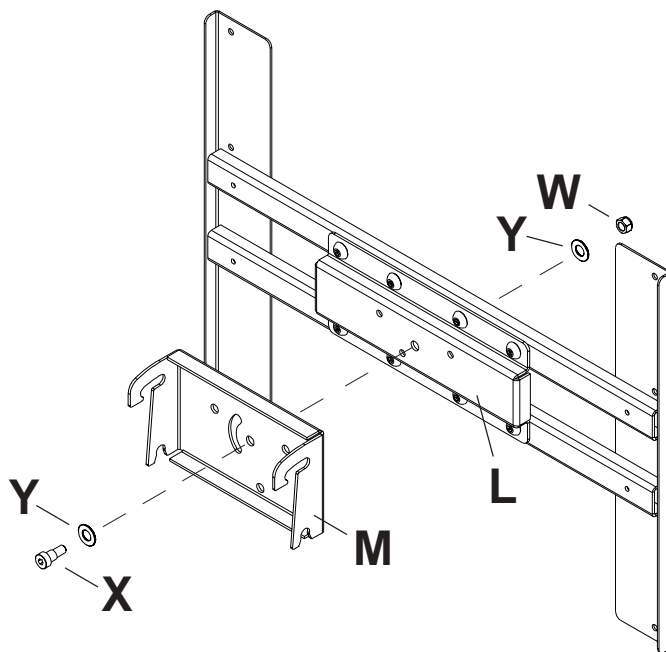
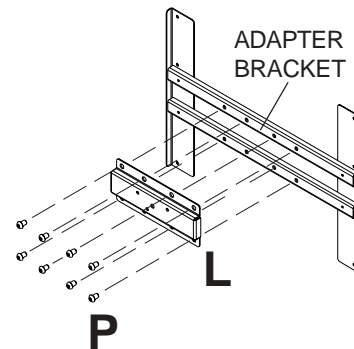
- 6** Attach tube support (K) to neck tube (N) using two screw bolts (R), nuts (Q), and washers (F) as shown. Insert rubber grommet (G) into neck tube (N).



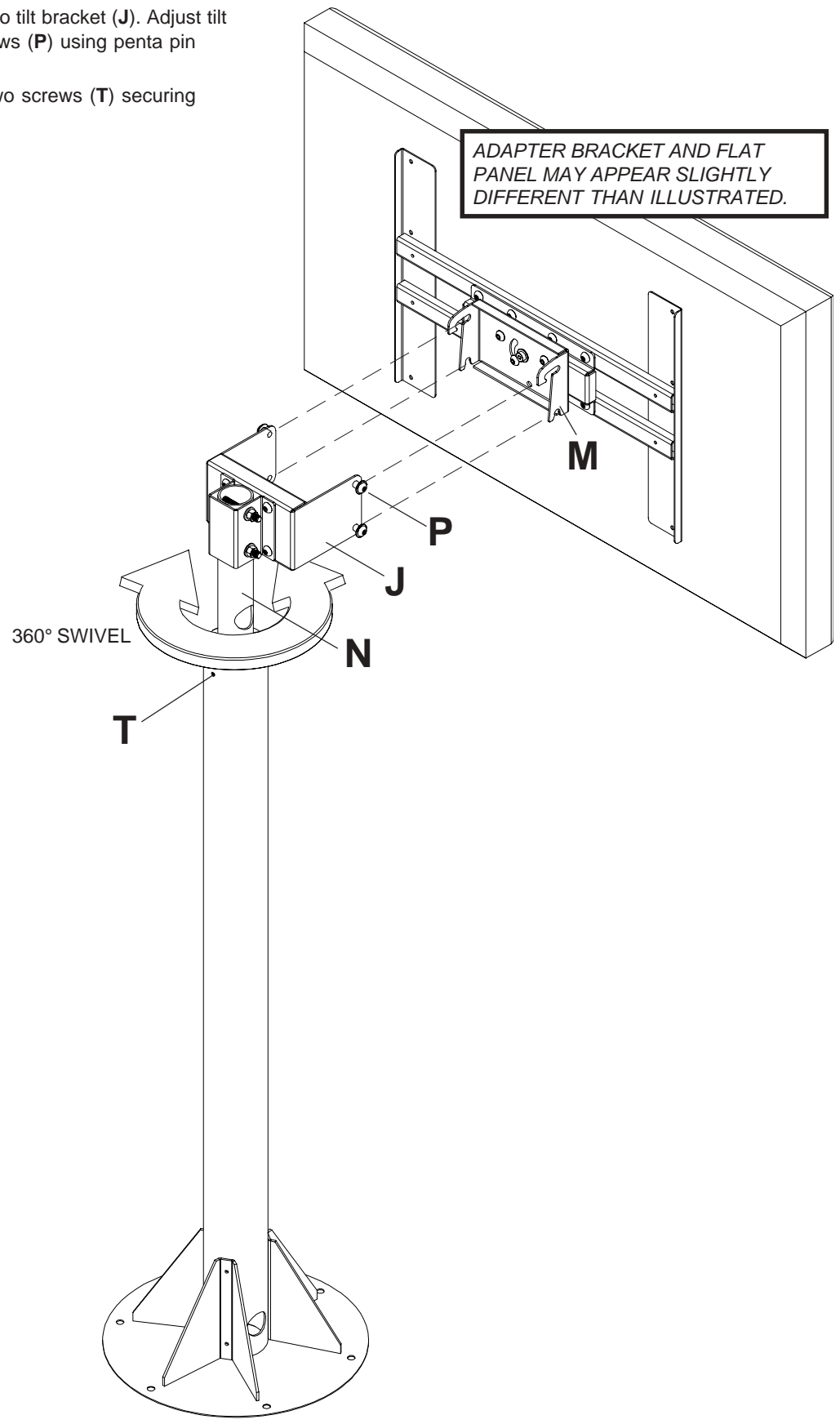
7 Attach adapter mount (L) to adapter bracket (*purchased separately and may appear different than illustrated*) with eight screws (P) shown right. Attach swivel bracket (M) to adapter mount (L) using shoulder bolt (X), washers (Y), and nut (W) as shown below.

FOR HORIZONTAL MOUNT: secure with three screws (V) shown below left.

FOR VERTICAL MOUNT: secure with three screws (V) shown below right.



- 8** Hook swivel bracket (**M**) onto tilt bracket (**J**). Adjust tilt (0° to 15°) and tighten screws (**P**) using penta pin tool (**U**).
Adjust swivel and tighten two screws (**T**) securing neck tube (**N**).



OPTIONAL: To rotate flat panel 90° without detaching swivel bracket (M), follow detail one through detail three.

